



LIMITED LIFETIME WARRANTY

LIFE-LIKE PRODUCTS LTD will repair or replace (at its option) any part which it finds faulty in workmanship or material provided these instructions are followed:

1. Include a description advising LIFE-LIKE of the nature of the problem with your name and address.
2. All returned items must be shipped to LIFE-LIKE postage fully prepaid, along with \$5.95 for return postage and handling. IF A PART IS RETURNED WITHIN 90 DAYS OF PURCHASE, RETURN POSTAGE AND HANDLING FEE NEED NOT BE INCLUDED - note: a dated proof of purchase MUST accompany returned part.
3. Send name and address, defective locomotive, plus postage and handling to:
In the U.S.A.: Consumer Service Dept., LIFE-LIKE PRODUCTS, LLC 1600 Union Avenue, Dock 2, Baltimore Maryland 21211 U.S.A.
In Canada: Canadian Hobbycraft, Attn: Service Dept. 140 Applewood Crescent, Concord, Ontario L4K 4E2 Canada
4. Pack properly to protect item against added damage.
5. This warranty gives you specific legal rights, and you may also have other rights which vary from state to state.

This item is warranted against defects in workmanship and materials for as long as it is in the possession of the original purchaser or owner

This warranty does not include the cost of any inconvenience nor does it cover transportation damage, misuse, abuse, accident, or any item which has been tampered with. The warranty does not apply to electric bulbs.

PROBLEMS?

Need Assistance?

Call us toll free
In the USA 1-800-638-1470
In CANADA 1-800-465-6100

In the U.S.A.

Write: Life-Like Products, LLC
Consumer Service Dept.
1600 Union Ave., Dock 2
Baltimore, MD 21211-1998

In Canada

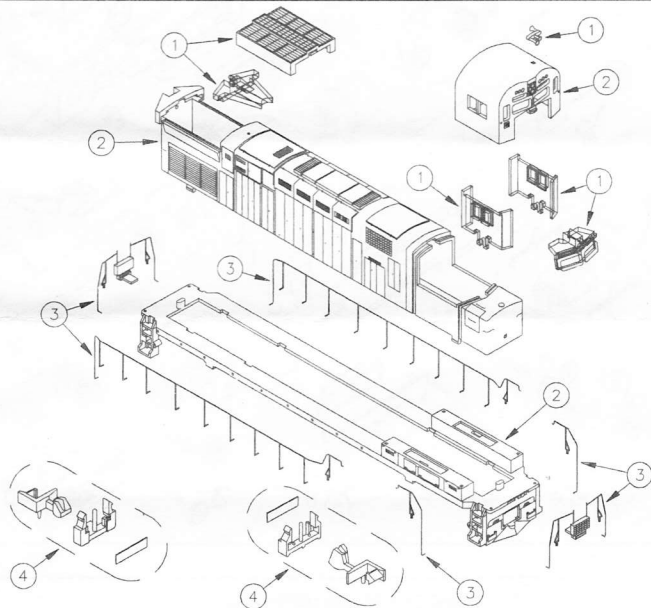
Write: Life-Like Products Ltd.
Customer Service Dept.
140 Applewood Crescent
Concord, Ontario L4K 4E2

Quick Action Service Dept
Hours: 9:00 AM - 3:30 PM (EST)
Monday - Friday

MADE IN CHINA

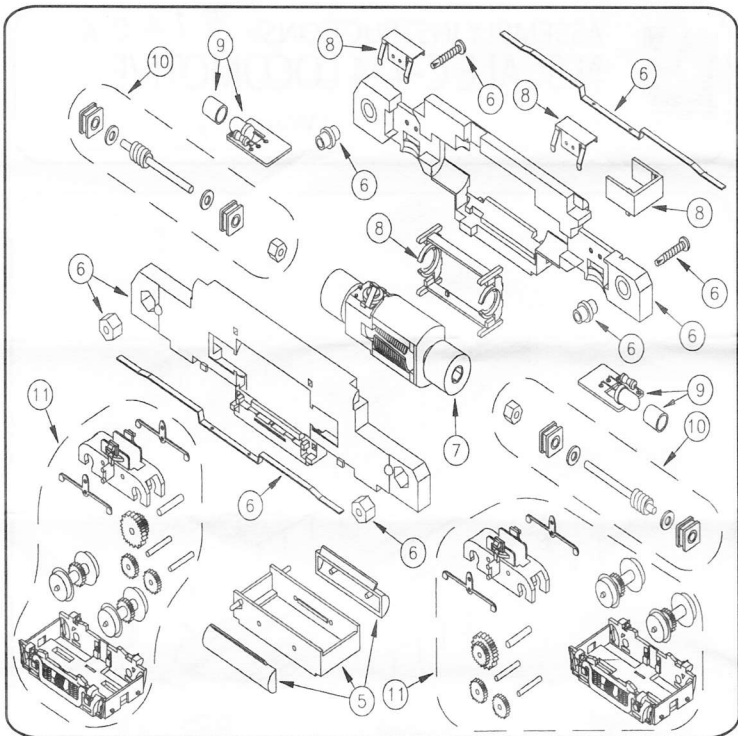


ASSEMBLY INSTRUCTIONS 01406 N SCALE C-424 LOCOMOTIVE with Limited Lifetime Warranty



DISASSEMBLY INSTRUCTIONS

1. Remove couplers and coupler springs
2. Hold locomotive from fuel tank and gently grasp shell from the sides. Be careful not to destroy the handrails.
3. GENTLY pry up the locomotive shell from the rear. Then slide forward to remove completely.



PARTS LIST

Key #	RM#	Description	Cost
1	CHL42401	Body detail package #1	\$10.00
2	CHL42402	Body undec. C-424 & sill	\$20.00
3	CHL42403	Body detail package #2	\$10.00
4	CHL42404	Coupler, coupler pocket and spring (2 pc. ea.)	\$6.00
5	CHL42405	Fuel tank assembly	\$8.00
6	CHL42406	Chassis set w/ screws, nuts, spacers & pick-up rail	\$25.00
7	CHL42407	Motor w/ flywheel assembly	\$20.00
8	CHL42408	Chassis parts set includes light cover, spring clips, motor mount	\$8.00
9	CHL42409	Light kit, includes 2 lights with mounting plates	\$15.00
10	CHL42410	Worm gear set including universal, hex nut and bushings	\$20.00
11	CHL42411	Complete truck assembly (front)	\$15.00

To order parts, please locate the part number on the exploded diagram on page 2 and cross reference with the part number on the list above. Ex. key number 2 is part number CHL42402. Place your order on a blank piece of paper and remember to PRINT CLEARLY. Prices are located to the right of the description. Please add carefully. For shipping, please add \$6.95 for insured post. You can send your request to:

IN CANADA:
 LIFE LIKE CANADA
 140 APPLEWOOD CRESCENT
 CONCORD, ONTARIO L4K 4E2

IN THE U.S.A.
 LIFE LIKE PRODUCTS .LLC
 CONSUMER SERVICE DEPT.
 1600 UNION AVE., DOCK 2
 BALTIMORE, MD 21211-1998

TAKING CARE OF YOUR LOCOMOTIVE

1. Use LIFE-LIKE TRACK CLEANER or TRACK BRITE on metal locomotive pick-up wheels to keep them clean
2. Your LIFE-LIKE locomotive is factory lubricated. If the loco becomes noisy after running many hours, it may need additional lubrication. Use only LIFE-LIKE grease available in LIFE-LIKES maintenance kit (ITEM 1418) especially blended for your locomotive. To lubricate, turn locomotive upside down. Apply grease sparingly to gears. DO NOT OVER LUBRICATE.

