

\$1.00

**MINITRIX**

TM

the ultimate in **N** gauge

READY TO RUN TRAIN SETS  
ROLLING STOCK  
TRACK ACCESSORIES  
SCHEMATIC ENGINE DRAWINGS  
TRACK PLANS & LAYOUT  
AUTHORIZED SERVICE STATIONS



ATI

American Tortoise Inc., Farmingdale, New York 11735

**MINITRIX**

the ultimate in N gauge

TM

scale 1:160 9mm between rails 2mm=1 foot

## THINK SMALL...FOR BIG RAILROADING SATISFACTIONS!

### THINK SMALL. THINK MINITRIX.

TRIX, world famous model train makers since 1928, in developing N gauge model trains, thought *small* in terms of size, but *big* in terms of precision and accuracy and quality craftsmanship. The result was the miniature perfection of MINITRIX, the mightiest midget in model railroading.

*"The trains you are able to set up on a coffee table"*  
(requires only one quarter the space of H0)

It's *MINITRIX*...for the *maximum* in power, durability and reliability; variety and versatility...and good, solid railroading satisfaction! The quickest way to get high-balling in model N gauge railroading is with the exciting MINITRIX Train Sets.

Choose from a wide variety of 21 sets. Ideal for beginners, as well as additions for confirmed model railroaders. Sets are made up with different locomotives; different combinations of rolling stock and roadnames; and track for an oval layout. Sets are available with or without power packs.

Or select either of two (2) unique, self-contained "ready to run" layouts...Cavi-T-Pak\* and Diorama (see details on page 11). Each set complete with rolling stock and UL approved 1 ampere AC/DC power pack. Just hook it up, and you're ready to roll.



#### MINITRIX TRAIN SETS

All sets are packaged as illustrated above. See opposite page 3 for details of various sets and prices.



#### No. 1101 CAVI-T-PAK\* SET—READY TO RUN 'Lil Donkey' 0-6-0 Switcher with 3-Car Freight . .

CONTENTS: 1-Snap-in Train Board, 1-section of straight track, 1-straight rerailer track, 11-sections of curved track, 1-curved terminal track, 1-one ampere UL approved 17-volt DC, 18-volt AC power pack and hook-up wire.

\* U.S. Pat. No. 3212638

All MINITRIX components are inscribed showing their country of origin.

This catalog supersedes all previous price lists and catalogs.

The manufacturers of MINITRIX Trains reserves the right to change technically any product and prices, without notice.

Prices slightly higher in Canada.

© 1973 American Tortoise Inc., Farmingdale, N.Y. 11735

Printed in U.S.A.



All sets illustrated on this page contain 3-sections of straight track, 1-straight rerailer track, 11-sections of curved track, 1-curved terminal track, U.L. approved 1-ampere power pack 17-volt DC 18-volt AC and hook-up wire.



No. 1120 'Lil Donkey'\* 0-6-0 Switcher with 3-Car Freight . . .  
\*All locomotives come with headlights except this model.



0-6-0 Switcher and Tender with 3-Car Freight . . .  
No. 1126 Santa Fe  
No. 1126A B. & O.  
No. 1126B Penn Central



4-6-2 Pacific Locomotive and Tender with 4-Car Freight . . .  
No. 1160 Pennsylvania No. 1161 Santa Fe  
These sets (not illustrated) are with 4-Car 'Old Timer' Freight . . .  
No. 1104 Pennsylvania No. 1105 Atchison, Topeka and Santa Fe



Fairbanks Morse Diesel Road Switcher, with 3-Car Freight . . .  
No. 1142 Santa Fe No. 1143 Milwaukee No. 1144 Penn Central No. 1145 Union Pacific



F-9 'A' Diesel with 4-Car Freight . . .  
No. 1121 Santa Fe No. 1122 Penn Central  
No. 1124 Santa Fe No. 1125 Penn Central

F-9 'A' Diesel with 6-Car Freight (not illustrated) . . .

F-9 'A' Diesel with 5-Car Passenger (not illustrated) . . .

1-Streamlined Vista Dome, 3-Streamlined Passenger, 1-Streamlined Observation Car. No. 1127 Santa Fe No. 1128 Penn Central



GE U-28 Diesel with 4-Car Freight . . .  
No. 1146 Santa Fe No. 1147 Penn Central No. 1148 Louisville & Nashville No. 1149 Northern Pacific

No. 1170 U-30CG Diesel with 6 cars Santa Fe  
No. 1171 U-30CG Diesel with 6 cars Burlington  
No. 1172 U-30CG Diesel with 6 cars Penn Central

NOTE: Any above sets may be purchased without the power pack . . . less per set.



STEAM  
LOCOMOTIVES



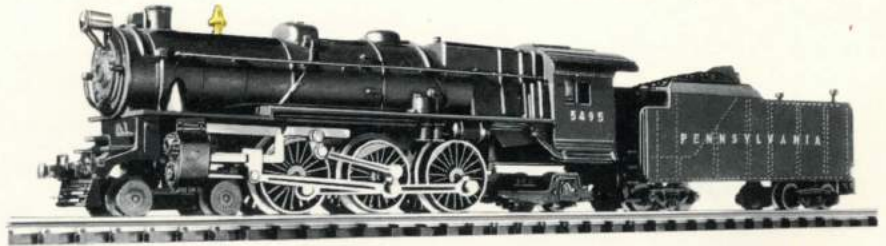
All the mighty MINITRIX locomotives are true reproductions of actual prototypes; exact in detail, even to the working headlights. Each one is gear-driven with a six (6) wheel drive. Each one is a gem of perfection, scrupulously tested for strength and endurance. But, perhaps the most outstanding feature of these locomotives is their terrific "pull" power. A sturdy Perma motor, designed for 12V, DC operation, and corresponding to international standards, is the stout heart of every MINITRIX loco. Speed and direction can be determined and controlled by the model rail-roader through easily operated remote-control units.



\* No. 2913, 0-6-0 'LIL DONKEY' SWITCHER\* . . . .



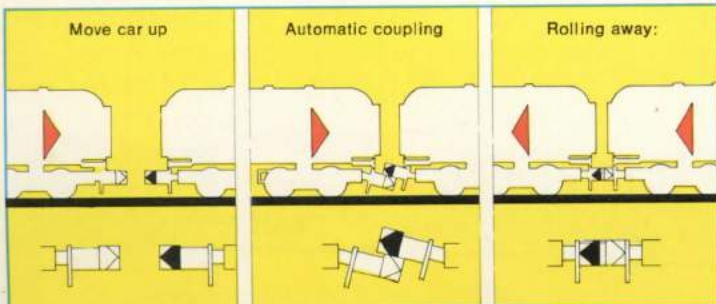
0-6-0 SWITCHER and TENDER with Headlight . .  
No. 2916 Atchison, Topeka and Santa Fe  
No. 2919 Baltimore and Ohio  
No. 2918 Penn Central



4-6-2 PACIFIC LOCOMOTIVE and TENDER  
with Headlight . . . . .  
No. 2970 Pennsylvania  
No. 2990 Santa Fe

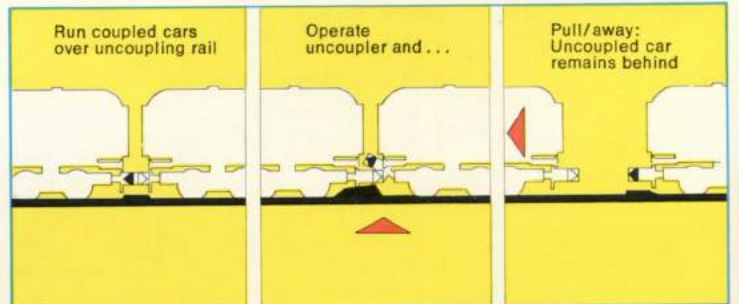
\* This model without headlight

COUPLING



All MINITRIX rolling stock and locomotives are fitted with automatic couplings. Coupling-up takes place as in prototype railroading, merely by moving the cars up to one another.

UNCOUPLING



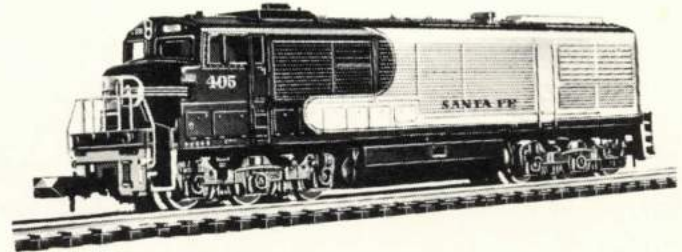
Uncoupling of MINITRIX rolling stock and locomotives takes place by using uncoupling rail No. 4969, which can be installed into the track work at any desired area.



These eight (8) wheel drive beauties are authentic to the last detail, flawlessly engineered for longer, trouble-free operation and carefully tested for toughness and durability. They come equipped with operational headlights. Like the MINITRIX steam locos, the diesels are the result of more than 40 years' experience and craftsmanship in producing top quality model railroading equipment.

**SHARKNOSE — with headlight**

- Santa Fe .....
- Penn Central .....
- Baltimore & Ohio .....
- Burlington Northern .....



**DIESEL LOCOMOTIVE U-30CG — with headlight**

- 2012 Santa Fe .....
- 2049 Burlington Northern .....
- 2050 Penn Central .....



**F-9 GENERAL MOTORS 'A' DIESEL  
with Headlight .....**

- No. 2907 Canadian Pacific    No. 2927 Canadian National
- No. 2947 Penn Central    No. 2957 Santa Fe
- No. 2967 Union Pacific    No. 2997 Baltimore and Ohio



**FAIRBANKS MORSE DIESEL with Headlight . . . .**

- No. 2002 Milwaukee Rd.    No. 2003 Penn Central
- No. 2004 Union Pacific.    No. 2005 Santa Fe



**GENERAL ELECTRIC U-28 DIESEL with Headlight**

- No. 2006 Santa Fe    No. 2007 Penn Central
- No. 2008 Louisville and Nashville
- No. 2009 Northern Pacific



STREAMLINE COACH .....

No. 3031 Union Pacific No. 3032 Santa Fe  
No. 3034 Baltimore & Ohio No. 3037 Penn Central



STREAMLINE OBSERVATION .....

No. 3041 Union Pacific No. 3042 Santa Fe  
No. 3044 Baltimore & Ohio No. 3047 Penn Central



VISTADOME STREAMLINE .....

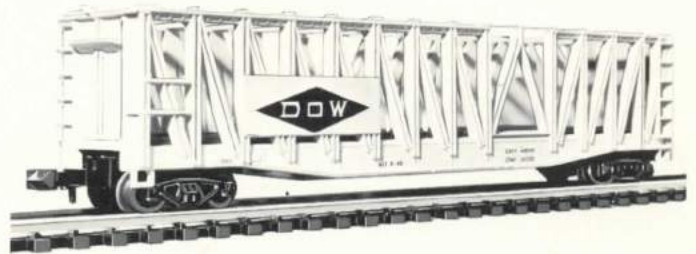
No. 3051 Union Pacific No. 3052 Santa Fe  
No. 3054 Baltimore & Ohio No. 3057 Penn Central



Here is a comprehensive and colorful collection of streamlined passenger coaches, luxury observation cars and vistadomes bearing the proud names and distinctive markings of some of the country's most famous railroads...There are, of course, the correct locomotives to match up with passenger coaches.



MINITRIX helps deliver the goods with this great collection of freight cars. Over 100 prototypes with great regional roadnames and well known industrial company names to choose from. Equipped with automatic spring couplings, they give an aura of a realistic operation to your layout.



50' 70 TON CONTAINER CAR .....

No. 3101 DuPont No. 3102 Dow Chemical  
No. 3103 Monsanto No. 3104 Hooker Chemical



50' 70 TON GONDOLA WITH REMOVABLE ROOF

No. 3106 Penn Central No. 3107 Santa Fe  
No. 3108 Burlington No. 3109 Western Maryland



60' LONGITUDINAL HOPPER .....

No. 3112 Boston & Maine No. 3113 Canadian National  
No. 3114 Penn Central



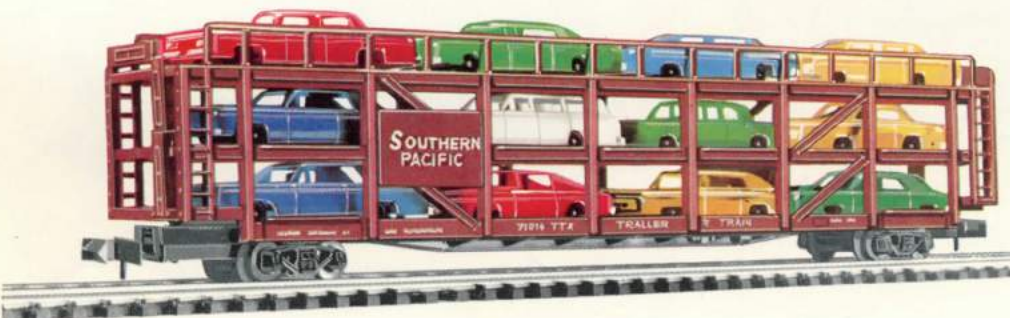
No. 3160 Heavy Duty Crane .....



No. 3296 60' 6-AXLE DEPRESSED CENTER CAR ..



No. 3299 60' 6-AXLE TRANSFORMER CAR .....



3-DECK OPEN AUTO TRANSPORTER  
Loaded with 12 styles of automobiles.

No. 3151 Great Northern  
No. 3152 Southern Pacific  
No. 3153 Boston & Maine  
No. 3154 Union Pacific

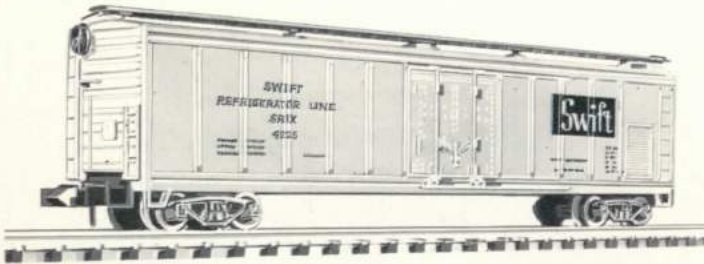
**FREIGHT CARS**



50' DEPRESSED CENTER CAR w/CABLE REEL .  
No. 3117 Erie  
No. 3119 Rock Island



60' CENTER FLOW CAR .....  
No. 3121 Dow Chemical No. 3123 Union Pacific  
No. 3124 Shell



50' MECHANICAL REFRIGERATOR CAR .....  
No. 3127 Swift



50' DOUBLE DOOR BOX CAR .....  
No. 3131 Frisco No. 3132 Penn Central  
No. 3134 St. Clair



50' COVERED HOPPER .....  
No. 3137 Holly Sugar No. 3138 Southern Pacific  
No. 3139 Boston & Maine



60' JUMBO TANK CAR .....  
No. 3141 Gen'l American No. 3142 Southern Pacific  
No. 3144 Mobil



50' PIGGY BACK CAR WITH 2 TRAILERS .....  
No. 3146 Canadian National No. 3149 Santa Fe



40' "BOX" CARS .....  
No. 3200 New Haven No. 3201 Great Northern  
No. 3202 Boston & Maine No. 3203 National Cylinder Gas  
No. 3205 Canadian National No. 3226 Penn Central





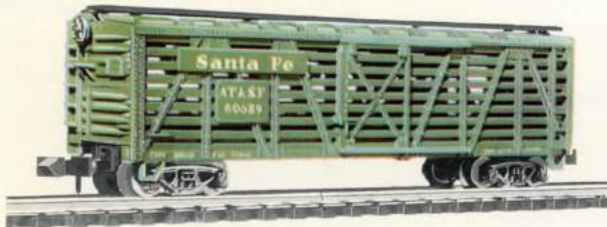
40' "GONDOLA" CARS .....

- No. 3207 Union Pacific No. 3208 Canadian National  
No. 3210 Southern Pacific No. 3211 Pennsylvania  
No. 3212 Baltimore & Ohio No. 3213 Burlington



40' REFRIGERATOR CARS .....

- No. 3246 Burlington No. 3247 Hormel  
No. 3248 Carnation No. 3249 Old Heidelberg  
No. 3250 Canadian National



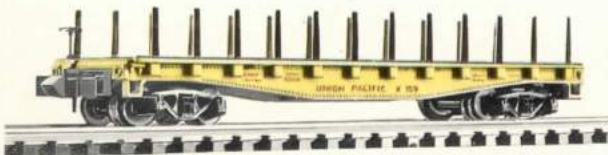
40' "CATTLE" CARS .....

- No. 3216 Santa Fe No. 3217 Missouri Pacific  
No. 3218 Missouri Kansas Texas No. 3219 Rio Grande  
No. 3220 Canadian National



8-WHEEL CABOOSE .....

- No. 3265 Northern Pacific No. 3267 Penn Central  
No. 3268 Canadian National No. 3270 New Haven  
No. 3271 Union Pacific No. 3272 Santa Fe  
No. 3273 Pennsylvania No. 3274 Baltimore & Ohio  
No. 3275 Milwaukee Rd. No. 3282 Louisville & Nashville  
No. 3288 Transfer Caboose (Red) No Road Name



40' "FLAT" CARS WITH REMOVABLE SIDE STAKES .....

- No. 3240 Union Pacific No. 3241 Santa Fe  
No. 3245 Norfolk & Western



40' "HOPPER" CARS .....

- No. 3276 Southern Pacific No. 3277 Western Maryland  
No. 3278 Chicago Outer Belt No. 3279 Peabody



ORE CAR .....

- No. 3222 Bessemer No. 3223 Chicago & Northwestern  
No. 3225 Canadian National



40' "TANK" CARS .....

- No. 3292 Michigan Alki No. 3293 Celanese



OLD TIMERS

86' 8 DOOR HIGH CUBE

- 3312 Grand Trunk
- 3313 S. Pacific
- 3314 Mo. Pacific
- 3315 B & O

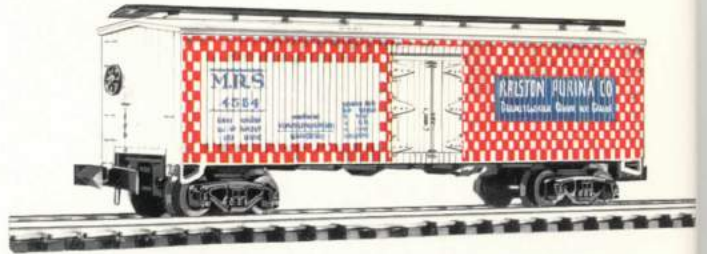
2 — 40' FLAT BED CONTAINER & FLATCAR

- 3322 Santa Fe
- 3323 Southern Railway
- 3324 Matson
- 3325 Rio Grande



40' HOPPER CARS, Old Timer

- No. 3177 Peabody No. 3178 Great Northern
- No. 3179 B & M No. 3180 Virginia
- No. 3181 D & H No. 3182 E J & E



40' REEFERS, Old Timer

- No. 3183 Dutch Cleanser No. 3184 Millers High Life
- No. 3185 Baby Ruth No. 3186 Dairyman's League
- No. 3187 Ralston No. 3188 Peerless Beer



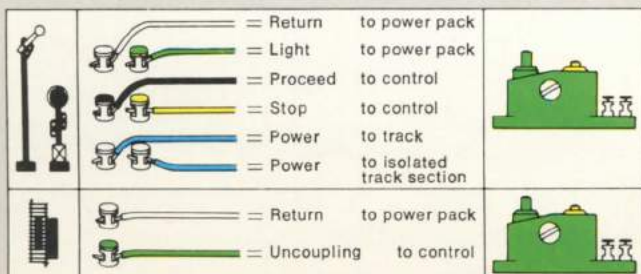
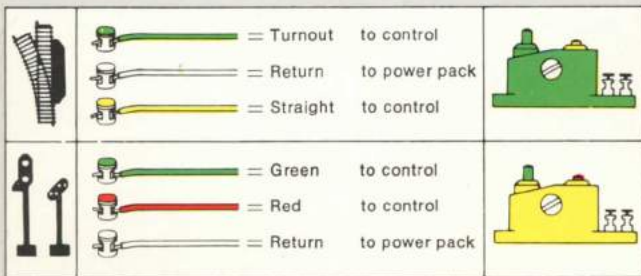
40' BOX CARS, Old Timer

- No. 3189 Santa Fe No. 3190 Domino Sugar
- No. 3191 B&M No. 3193 Frisco Fast Freight
- No. 3194 West India Fruit & Steamship Co.



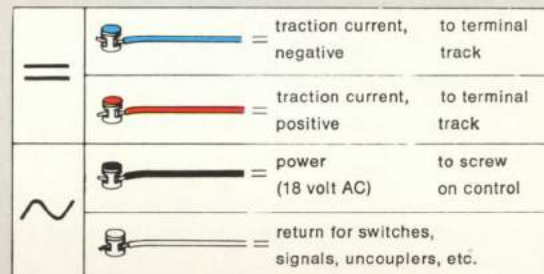
8-WHEEL CABOOSE, Old Timer

- No. 3195 AT&SF No. 3196 Pennsylvania



Simplified system of color coding terminals and connecting wires assures correct electrical connections.

These diagrams illustrate, in the simplest way possible, how to connect the various accessories.



No. 1100 CAVI-T-PAK® Extender Boards only

No. 1101 CAVI-T-PAK® Board

Constantly seeking new ways in developing beginners into the wonderful hobby of model railroading, TRIX with CAVI-T-PAK created this unique ready-to-run set. It's exclusive with MINITRIX. It features a two section recessed roadbed on a specially designed laminated board. The colorful landscape gives one the feeling of viewing a panoramic scene from a great height.

The unusual set-up prevents the young engineers from misplacing their tracks. By interlocking the tracks and then pressing them into the recessed area, they will stay put. Hook up the two wires . . . plug in the power pack . . . get the trains on the rails . . . and off you go!

Size of board: 24" x 21"

Includes set No. 1101. See page 2 for details.

Toporama is a fully colored plasticized sheet with printed locations for track, buildings, using earth, ballast and grass to form a fully scenic model railway. It can be put down and taken up just like the fixed formation track used on it.

**MINITRIX**<sup>TM</sup>

3-DIMENSIONAL LAYOUTS  
and CAVI-T-PAK\*



\* U.S. Pat. No. 3212638



No. 7010 TOPORAMA

No. 7010A TUNNEL

No. 7010B MACK PACKAGE

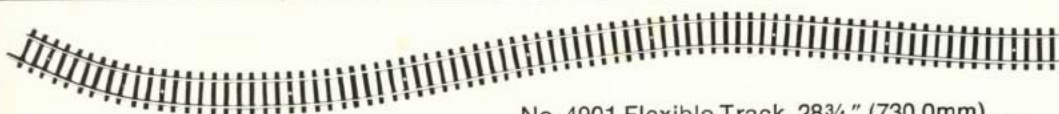
No. 7004 3-DIMENSIONAL "Miniland"  
DIORAMA . . .

For the more advanced hobbyist, who hasn't the time to build his own layout, this is the ideal set-up. Thrill to the movement of manually switching your rolling stock. In passing through the cities and country, you will enjoy the realistic running of a simulated railroad. Complete with buildings, shrubs, trees, and a built-in track system. Just add the trains of your choice and "highball down the way." Size of diorama: 40½" x 23½".

Does not include train set.



TRACK ACCESSORIES #4900 TRACK ASSORTMENT consists of 1 each\* items

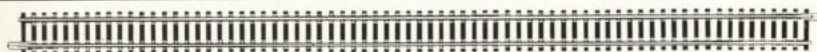


No. 4901 Flexible Track, 28 $\frac{3}{4}$ " (730.0mm) ...

All sizes indicated in inches are approximate and closest to "mm".

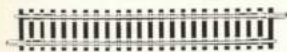


No. 6525  
Metal Rail Joiner  
... 2 doz. .50  
No. 6539 Insulating Type  
18 pcs.



No. 4902 Straight 12 $\frac{5}{16}$ " (312.6mm)

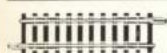
**STRAIGHT TRACK**



No. 4904  
4 $\frac{1}{8}$ " (104.2mm) ..



\* No. 4905  
3" (76.3mm) ...



\* No. 4906  
2 $\frac{1}{8}$ " (54.2mm) ....



\* No. 4907  
2" (50.0mm) ...



\* No. 4909  
1 $\frac{1}{8}$ " (33.6mm) ...



\* No. 4908  
1 $\frac{1}{8}$ " (27.9mm) ..



\* No. 4903  
 $\frac{5}{8}$ " (17.2mm) ..

**CURVED TRACK**



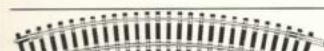
No. 4912, 7 $\frac{5}{8}$ " Radius, R1,  
30° (194.6mm) ..



No. 4914, 7 $\frac{5}{8}$ " Radius, R1,  
24° (194.6mm) ..



No. 4916, 7 $\frac{5}{8}$ " Radius, R1,  
6° (194.6mm) ..



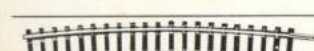
No. 4922, 9" Radius, R2,  
30° (228.2mm) ..



No. 4924, 9" Radius, R2,  
24° (228.2mm) ..



No. 4926, 9" Radius, R2,  
6° (228.2mm) ..



No. 4917, 13" Radius, R3,  
15° (329.0mm) ...



No. 4927, 14 $\frac{1}{4}$ " Radius, R4,  
15° (362.6mm) ..



No. 4918, 19 $\frac{3}{8}$ " Radius, R5,  
15° (492.6mm) ..



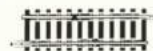
No. 4928, 20 $\frac{3}{4}$ " Radius, R6,  
15° (526.2mm) ..



No. 4972 Curved  
Terminal Track  
7 $\frac{5}{8}$ " Radius, R1  
30° (50.0mm) ...



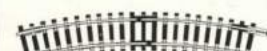
No. 4979 Straight Relay Trip  
2" (50.0mm) ...



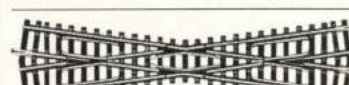
No. 4982  
Straight Isolating Track  
2" (50.0mm) .....



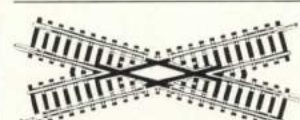
No. 4984  
Curved Isolating Track  
7 $\frac{5}{8}$ " Radius R1, 24°  
(194.6mm) ..



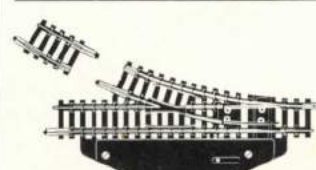
No. 4986  
Curved Isolating Track  
9" Radius R2, 24°  
(228.2mm) ..



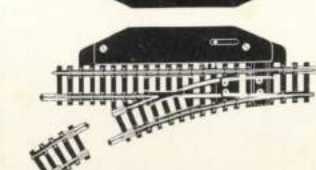
No. 4973 Track Crossing 15°  
5 $\frac{3}{32}$ " (2x129.8mm) ..



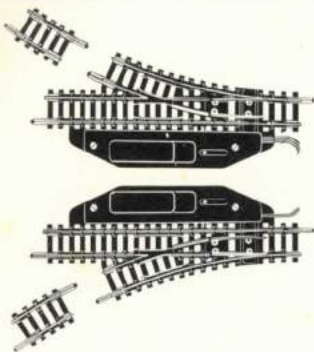
No. 4958 Track Crossing 30°  
4 $\frac{1}{8}$ " (2x104.2mm) ..



No. 4951 Manual Switch, Left  
No. 4953 Manual Switch, Right  
7 $\frac{5}{8}$ " Radius R1, 24° + 6°  
4 $\frac{1}{8}$ " (104.2mm) ... Each

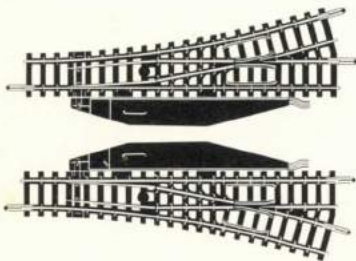


**TRACK ACCESSORIES**



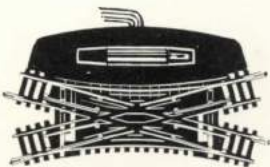
No. 4963 Remote Switch, Left  
No. 4961 Remote Switch, Right  
7 5/8" Radius R1, 24° + 6°  
4 1/8" (104.2mm) ... Each

Complete with control buttons.



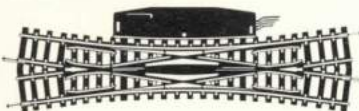
No. 4964 Remote Switch, Left  
No. 4965 Remote Switch, Right  
R4 15° ... Each

Complete with control buttons.



No. 4968 Double Slip-Switch,  
Remote Control  
7 5/8" Radius R1, 30°  
4 1/8" (104.2mm) ...

Complete with control button.



No. 4960 Double Slip-Switch,  
Remote Control  
R4, 15° ...

Complete with control button.



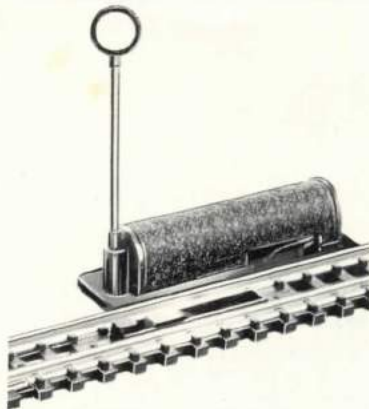
No. 4967 Curved  
Remote Switch, Left  
No. 4966 Curved  
Remote Switch, Right  
R1 + R2 ... Each

Complete with  
control buttons.



No. 4971 Curved  
Remote Switch,  
Left  
No. 4970 Curved  
Remote Switch,  
Right R3 + R4  
... Each

Complete with  
control buttons.



No. 4969 Remote Control  
Uncoupler-Track, 3" Long  
Can be installed wherever  
a straight section is used.  
(Stub Sidings, Main Line,  
Freight Yard, etc.)  
Wired to the AC Accessories  
Terminal on your  
TRIX Power Pack.  
Complete with  
control button ...



No. 4991 Bumper Stop  
with 2" track (50.0mm) ..



No. 4974 Re-railer Track  
4 1/8" (104.2mm) ...



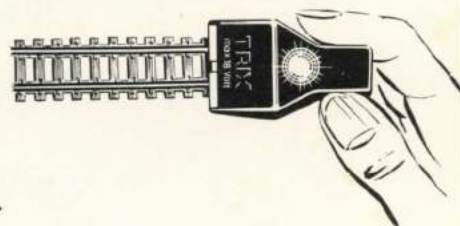
CLEANING BRUSH  
FOR LOCOMOTIVE  
WHEELS  
No. 6623 .....



No. 6533 Terminal Connector  
Double Pole ...



No. 6530 Terminal Track Clip  
Single Pole ...



TEST LIGHT  
No. 6628 .....



No. 6528 Track Lock  
Holds rails not fastened to layout.  
... doz. ...

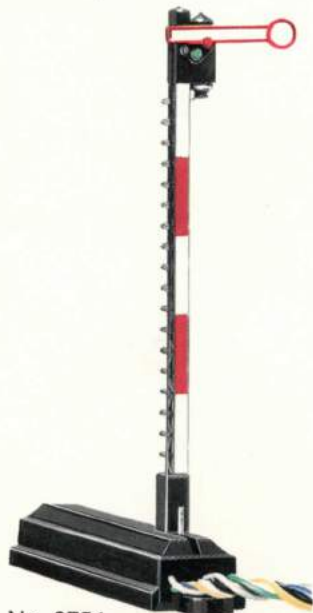
# MINITRIX

TM



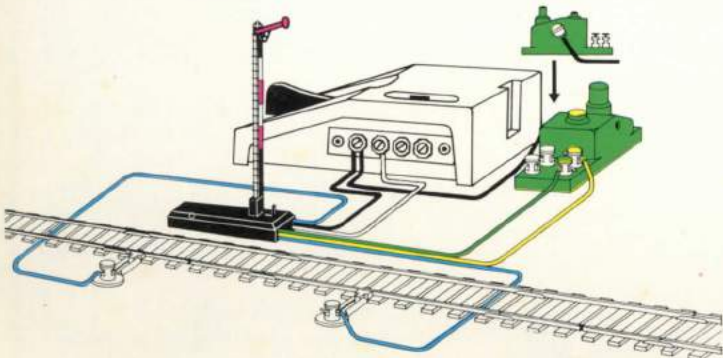
No. 6549 Power Pack . . .  
UL approved, 1-Ampere,  
17 Volt DC, 18 Volt AC

Power is what sends railroad trains thundering down the rails and the MINITRIX Power Pack is a real workhorse...with a full 1-ampere of power. A "stop" to "fast" control knob, and a "forward" and "reverse" throw switch give the operator complete realistic control.



No. 6754  
Semaphore with Light  
Remote control, safety cutout  
to protect coils. Includes  
switch to supply block  
section with power  
(Automatic train control)  
complete with control button.  
4" high (Operates with  
switch 6595, optional) . .

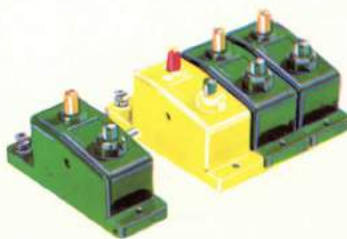
To enlarge your system and get greater variety in layouts, MINITRIX offers an assortment of manual and remote control switches...including remote control curved switches for the greatest possible flexibility in the smallest possible space. There are also terminal boards and relays for all automatic operations.



The impulse-box of MINITRIX Semaphore signals features a built-in switch controlling the supply of current to locomotives on electrically isolated track sections in front of the signal. MINITRIX light signals are operated by dual-function switches cutting or supplying current to isolated track sections with the change of signal lights.

It's easy to install and identify MINITRIX signals: GREEN switches for semaphores, YELLOW for light signals.

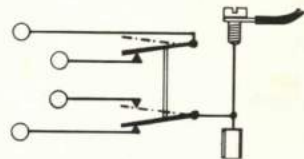
The outstanding features of MINITRIX control switches gives the model railroader unique control of his operating trains at all times. The dual function switch creates two simultaneous operations . . . The green button controls semaphores, switches, uncoupler rails and relays; the yellow button controls light signals.



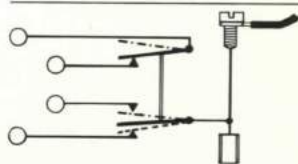
No. 6582 Terminal Board  
12 Post, for grouping  
electric accessories  
to power pack . .



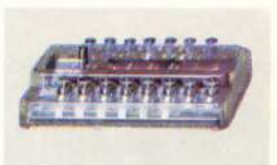
No. 6580 Terminal Board  
3 Post, for grouping electric  
accessories and automatic  
switch operation . .



No. 6594 Double  
Control Switch (Yellow)  
Single Pole, for light signals.  
Additional contact for  
automatic controls.  
Can be stacked with extra  
sets of Terminals . . .



No. 6595 Double  
Control Switch (Green)  
Momentary (for semaphores,  
signals, switches, uncoupler  
rails and additional terminal  
for automatic controls).  
Can be stacked with extra  
sets of terminals.  
Safety feature presents switch  
or light burnouts . . .

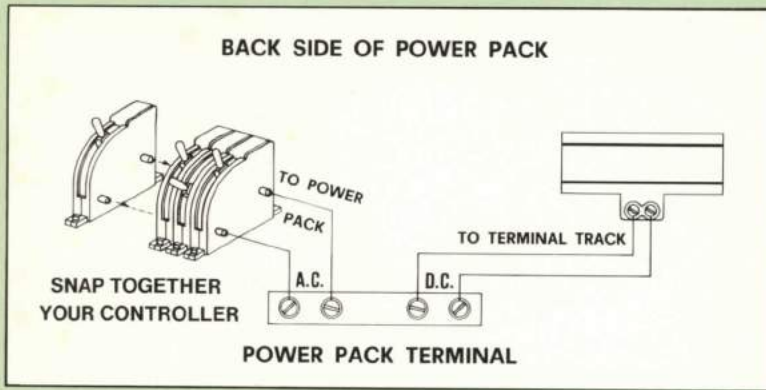


No. 6591 Relay  
(double magnet operation)  
For automatic operation  
(Stops, starts, switches, etc.)  
4-Circuit changing sets  
of silver contacts . .

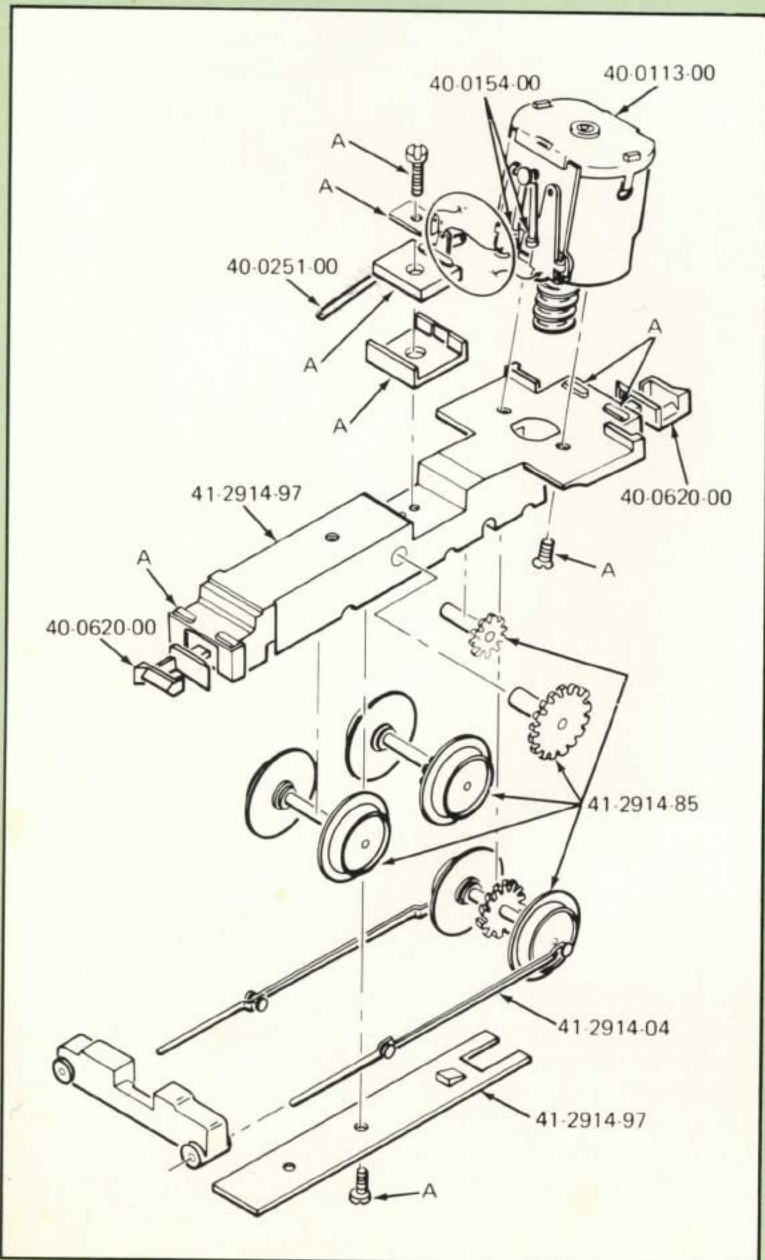
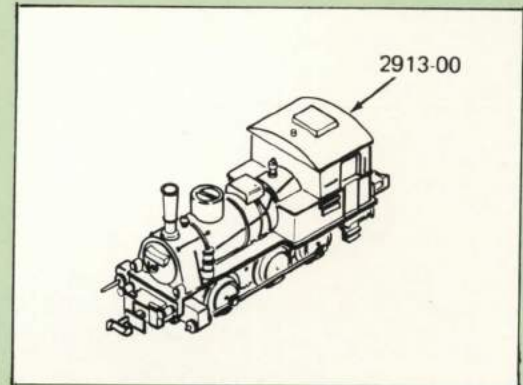
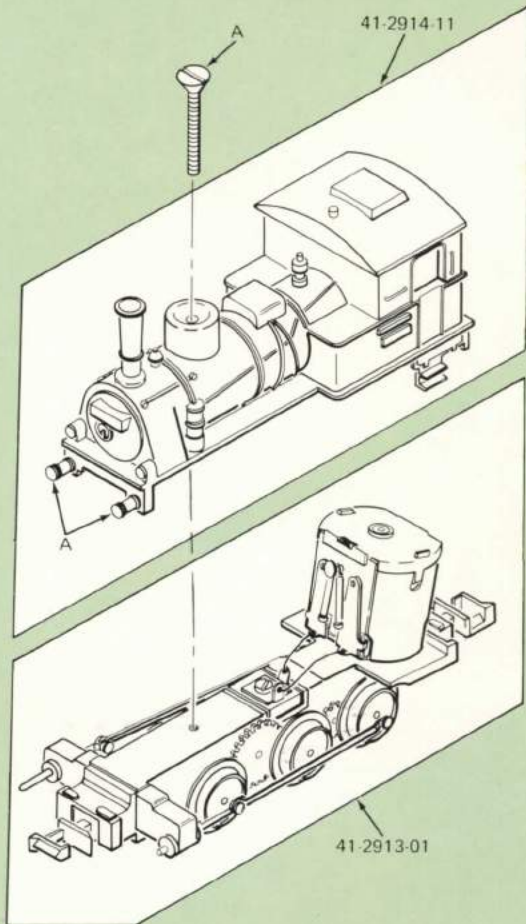


No. 6592 Relay  
2-Circuit changing sets  
of silver contacts,  
incorporating an automatic  
switch-off device . . .

If your SWITCHER comes with MINITRIX SWITCH CONTROL of this type, you can use hook-up below.



## MOTOR and CHASSIS PARTS 'LIL DONKEY' 0-6-0 SWITCHER POWERED 6-WHEEL DRIVE



### 0-6-0 LIL' DONKEY SWITCHER 6-WHEEL DRIVE without HEADLIGHT

40-0113-00	Motor	.....	5 pair
40-0154-00	Brushes	.....	5 pair
40-0251-00	Current Pickup	.....	5 for
41-2913-01	Chassis Assembly with Motor	.....	
41-2914-04	Locomotive Drive Rod and Drivers	.....	
41-2914-11	Body Housing	.....	
41-2914-85	Drive Gears and Wheels	.....	
41-2914-97	Chassis Casting and Plate	.....	
40-0620-00	Coupler Assembly	.....	5 pair

A: 41-2914-99 Assortment of Screws and Small Parts needed for this Model

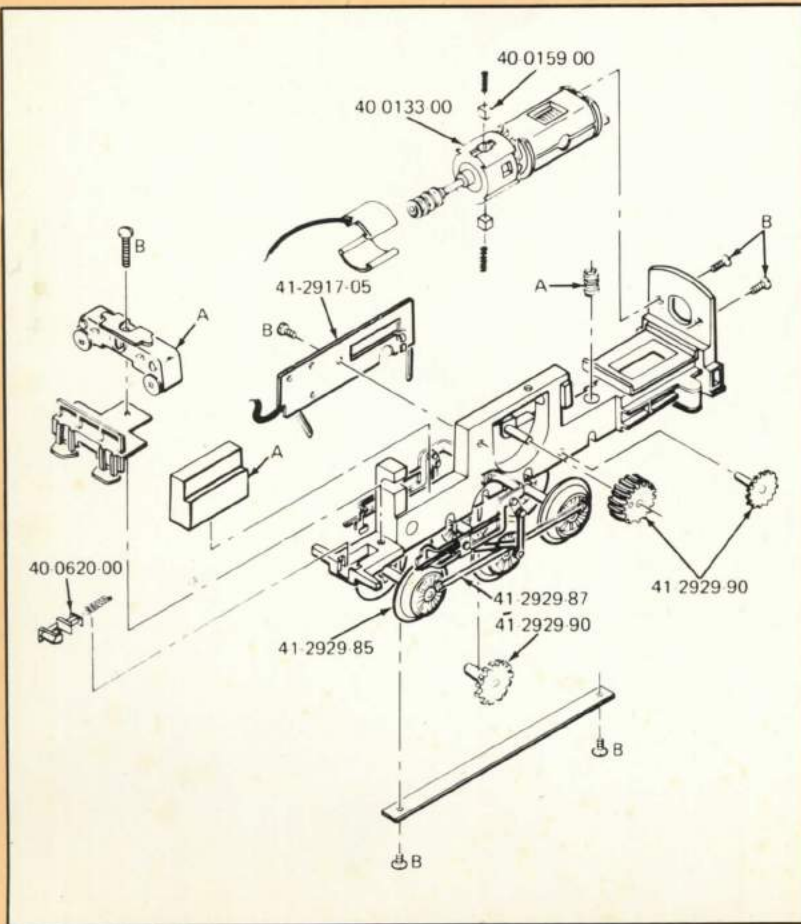
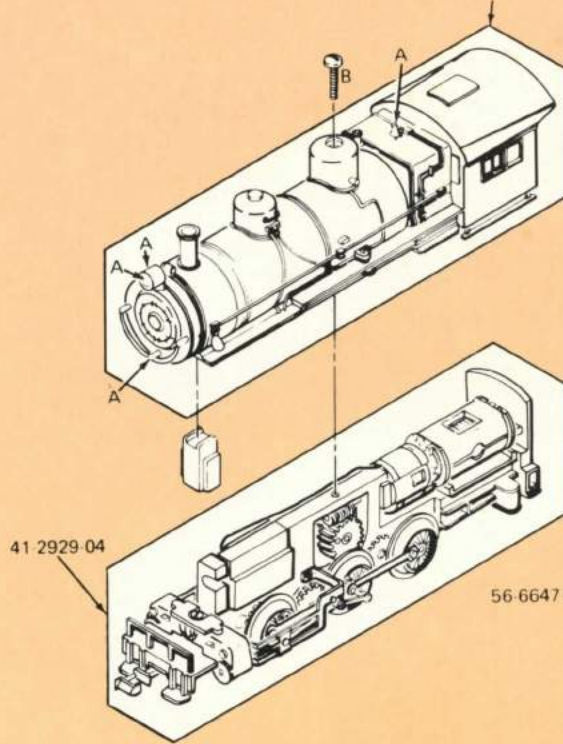
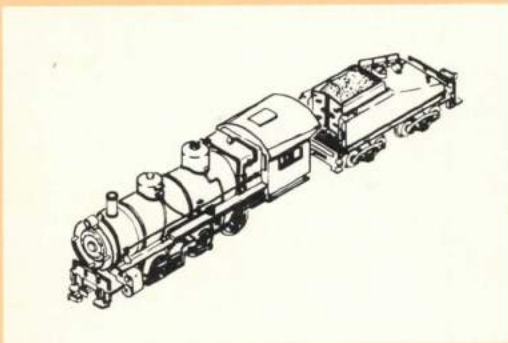
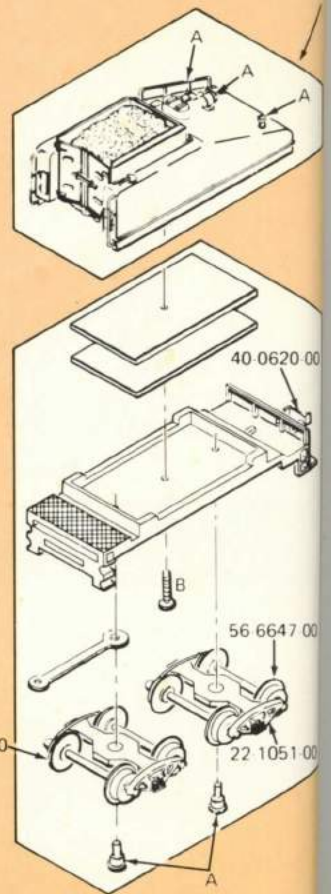
# MINITRIX™

TM

**MOTOR and CHASSIS PARTS**  
**0-6-0 SWITCHER**  
**STEAM LOCOMOTIVE and TENDER**  
**POWERED 6-WHEEL DRIVE**

SF 41-2929-79...  
 B&O 41-2918-79...

SF 41-2929-02...  
 B&O 41-2918-02...



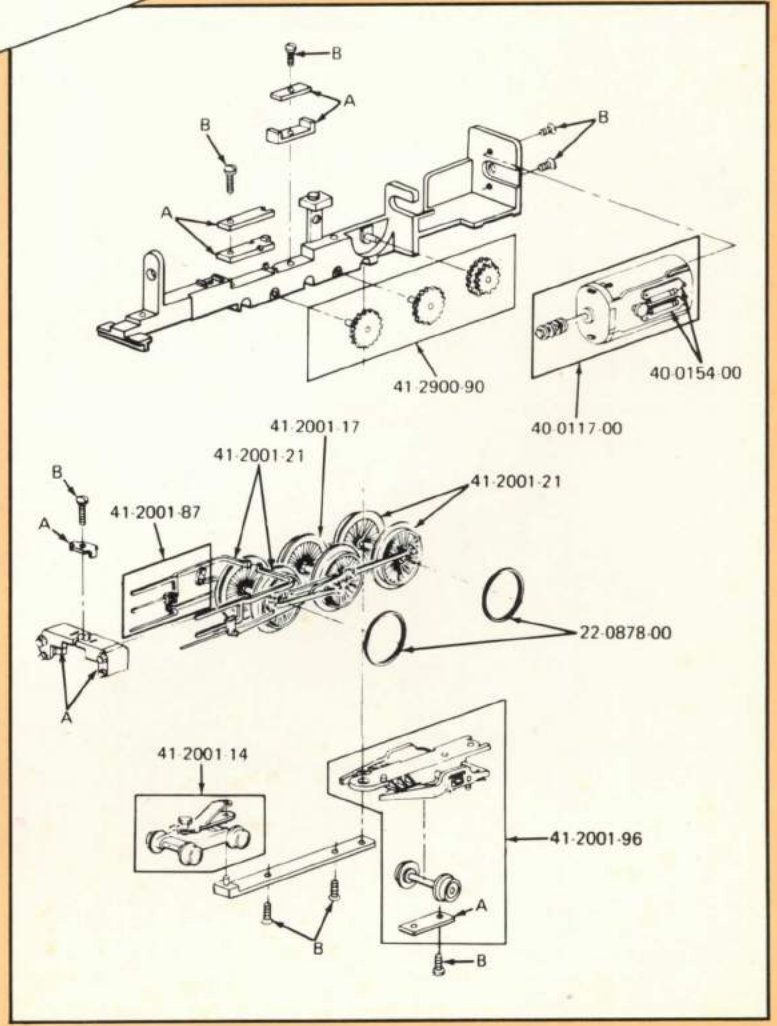
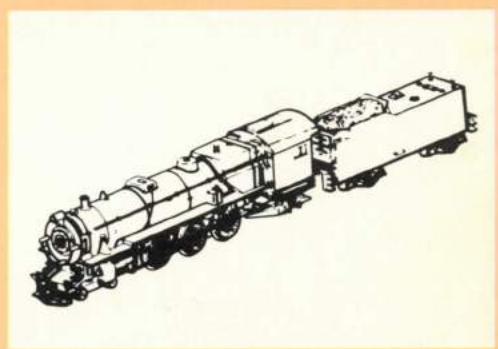
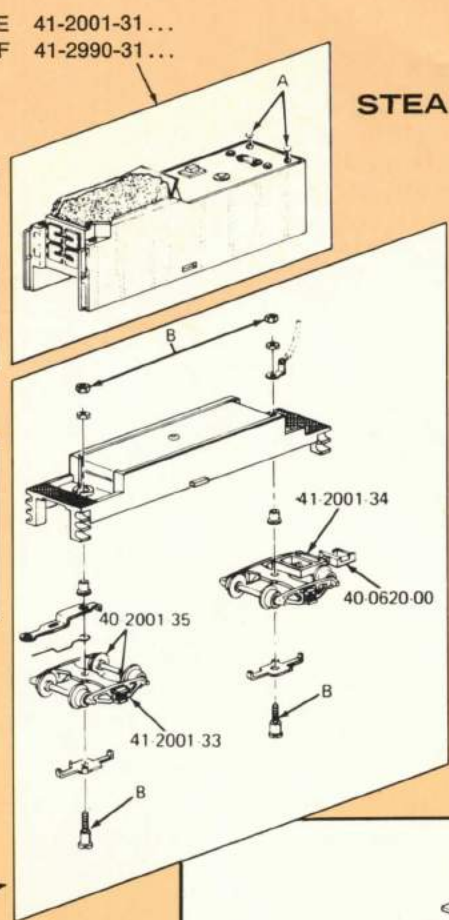
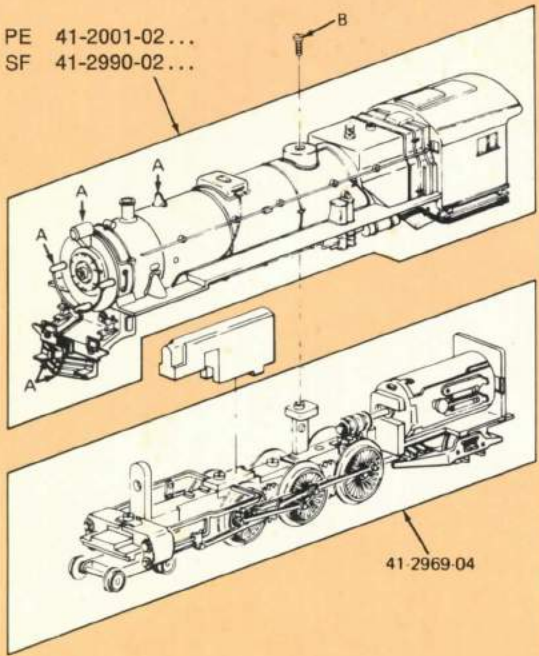
**0-6-0 STEAM LOCOMOTIVE with TENDER**  
**6 WHEEL DRIVE with HEADLIGHT**

- 41-2929-04 Chassis without Motor and Terminal Strip . . . . .
- 40-0133-00 Motor Assembly . . . . .
- 40-0159-00 Brushes for Motor . . . . . 5 pair
- 41-2929-85 Drive Wheel Assembly . . . . .
- 41-2929-90 Drive Gears . . . . . set
- 41-2917-05 Terminal Strip . . . . .
- 41-2929-87 Locomotive Drive Rod with Slide . . . . .
- 56-6647-00 Tender Wheels, and 2 Axles . . . . . 2
- 22-1051-00 Tender Truck Frame . . . . . each
- 40-0620-00 Coupler Assembly . . . . . 5 sets
- 41-2918-02 (B&O) Body Housing . . . . .
- 41-2929-02 (SF) Body Housing . . . . .
- 41-2918-79 (B&O) Tender Housing . . . . .
- 41-2929-79 (SF) Tender Housing . . . . .

- A: 41-2929-99 Assortment of small Parts needed for this Model . . . . .
- B: 41-2929-95 Assortment of all Screws needed for this Model . . . . .



**MOTOR and CHASSIS PARTS**  
**4-6-2 PACIFIC**  
**STEAM LOCOMOTIVE and TENDER**  
**POWERED 6-WHEEL DRIVE**

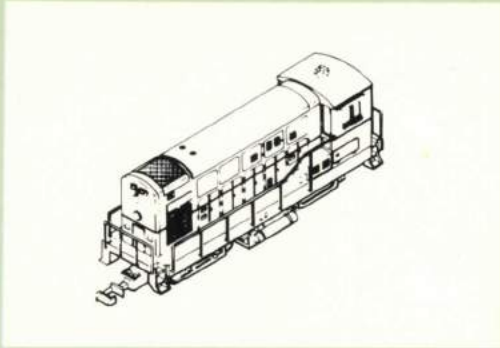


**4-6-2 PACIFIC STEAM LOCOMOTIVE, W/TENDER**  
**6 WHEEL DRIVE with HEADLIGHT**

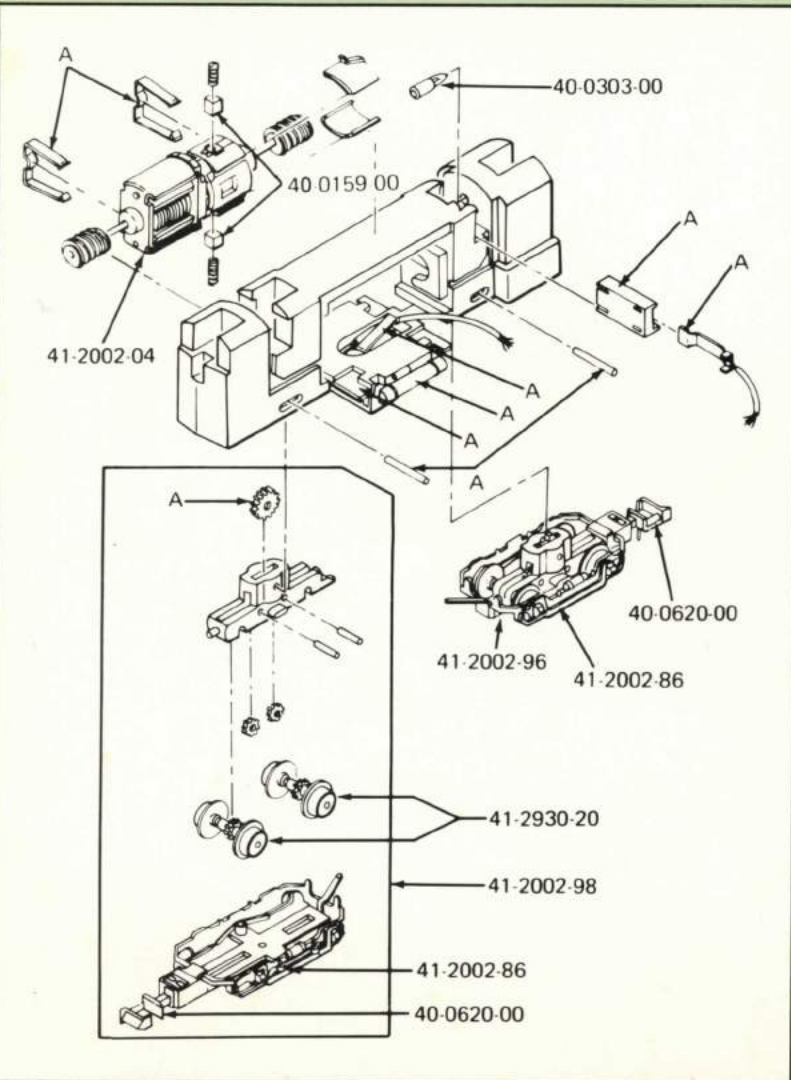
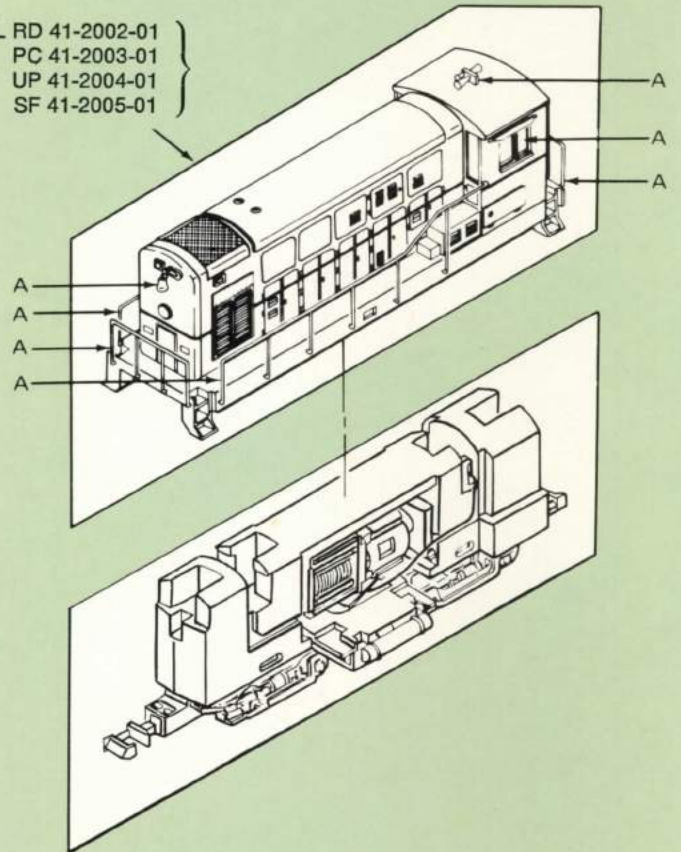
- 22-0878-00 Traction Tire for Drive Wheels ..... pair
- 40-0117-00 Motor .....
- 40-0154-00 Brushes ..... 5 pair
- 40-0620-00 Coupler Assembly ..... 5 pair
- 41-2001-02 Body Housing .....
- 41-2001-14 Pilot Wheels .....
- 41-2001-17 Drive Wheels, Center .....
- 41-2001-21 Drive Wheels, Front or Rear ..... set
- 41-2001-31 Tender Housing .....
- 41-2001-32 Tender Chassis Assembly .....
- 41-2001-33 Tender Truck, Front .....
- 41-2001-34 Tender Truck, Rear .....
- 40-2001-35 Tender, Wheels with 4 Axles ..... set
- 41-2001-87 Locomotive Drive Rods ..... set
- 41-2001-96 Wheels, Cab .....
- 41-2900-90 Drive Gears .....
- 41-2969-04 Chassis Assembly with Motor .....

- A: 41-2001-99 Assortment of Small Parts .....
- B: 41-2001-94 Assortment of all Springs needed for this Model .....
- A: 41-2001-95 Assortment of all Screws needed for this Model .....

**MOTOR and CHASSIS PARTS  
FAIRBANKS & MORSE  
ROAD SWITCHER DIESEL  
POWERED 8-WHEEL DRIVE**



MIL RD 41-2002-01  
PC 41-2003-01  
UP 41-2004-01  
SF 41-2005-01



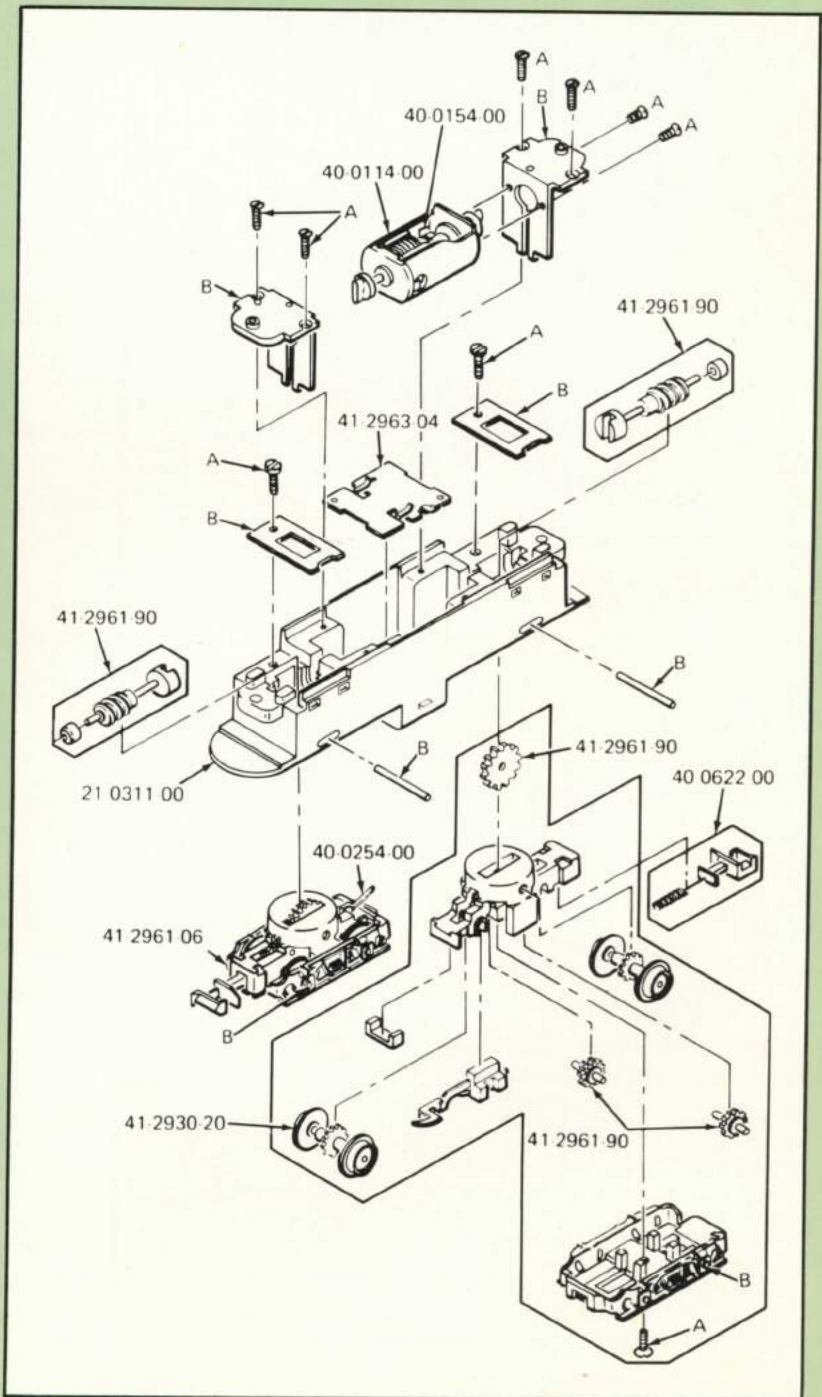
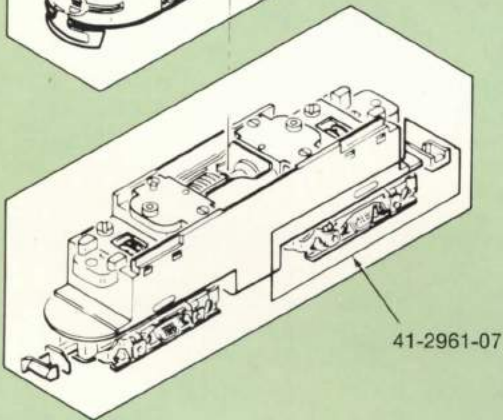
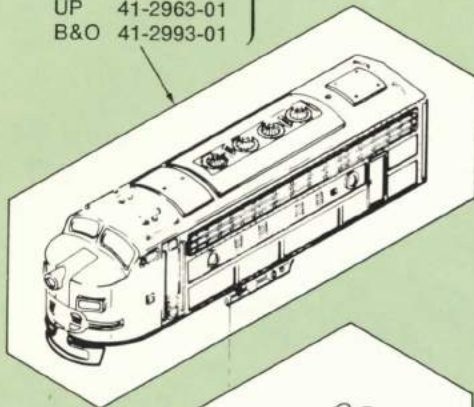
**FAIRBANKS MORSE DIESEL  
8 WHEEL DRIVE with HEADLIGHT**

40-0159-00	Brushes for Motor	5 pair
40-0303-00	Light Bulb	
40-0620-00	Coupler Assembly	5 sets
41-2002-04	Motor Assembly	
41-2002-86	Truck Assembly with Pick-up	
41-2002-96	Rear Truck Assembly	
41-2002-98	Front Truck Assembly	
41-2930-20	Wheel Assembly	four axle set

A: 41-2002-99 Assortment of small Parts  
needed for this Model

## MOTOR and CHASSIS PARTS F-9 'A' DIESEL POWERED 8-WHEEL DRIVE

- CP 41-2903-01
- CN 41-2923-01
- PC 41-2943-01
- SF 41-2953-01
- UP 41-2963-01
- B&O 41-2993-01



### F9 "A" DIESEL 8 WHEEL DRIVE

21-0311-00	Chassis*	
40-0114-00	Motor	
40-0154-00	Brushes	5 pair
40-0254-00	Truck Pick-up	5 pair
40-0622-00	Coupler Assembly, Rear	5 pair
41-2930-20	Drive Gear Wheels	4 sets
41-2961-90	Drive Shaft (2 required)	pair
41-2961-06	Front Truck Assembly	
41-2961-07	Rear Truck Assembly	
41-2963-04	Contact Plate	
22-0624-00	Truck Frame (UP) Gray	
22-0774-00	Truck Frame Black	

- A: 41-2961-95 Assortment of all Screws needed for this Model
- B: 41-2951-99 Assortment of small Parts needed for this Model
- B: 41-2961-99 (UP) Assortment of small Parts needed for this Model

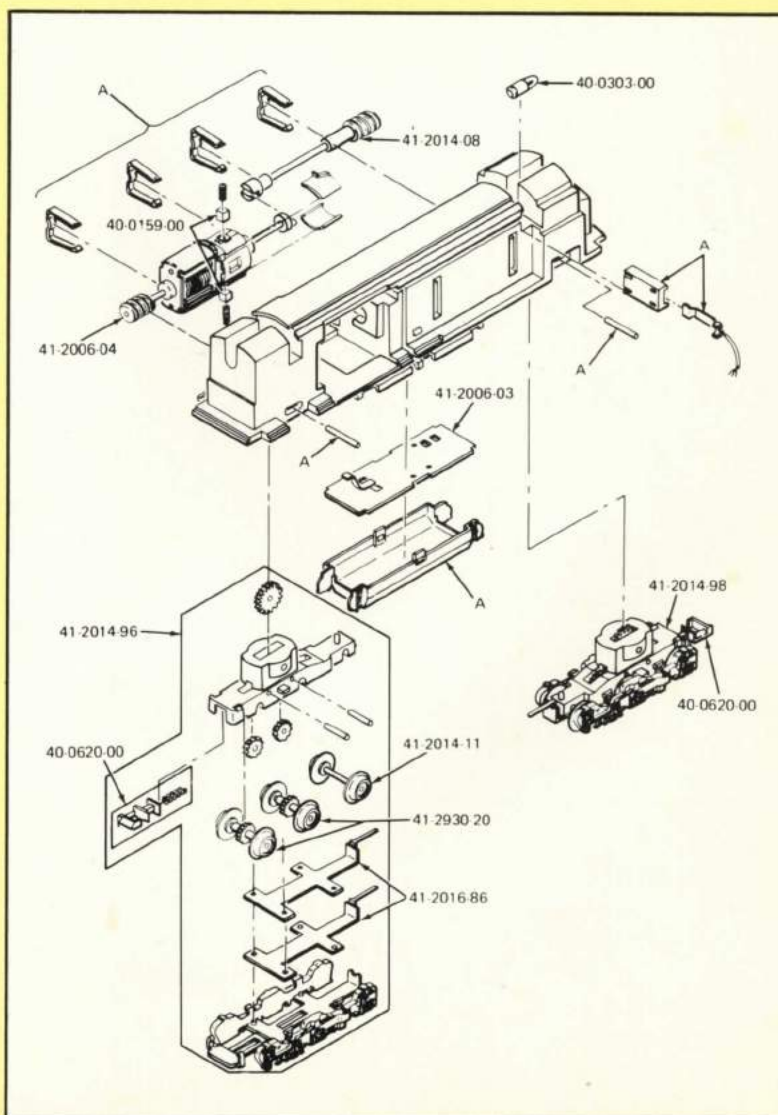
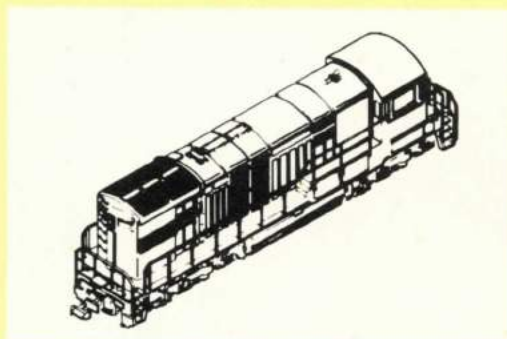
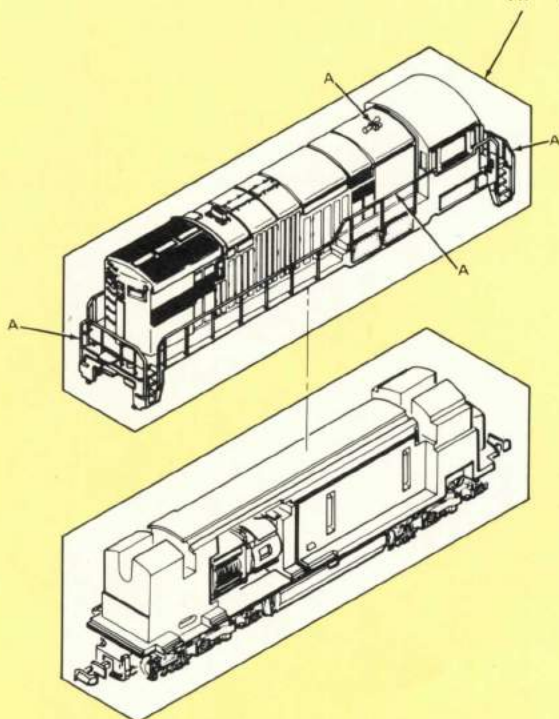
\*Not available at time of printing

# MINITRIX

TM

## MOTOR and CHASSIS PARTS GE U-28 DIESEL POWERED 8-WHEEL DRIVE

SF 41-2014-01  
PC 41-2015-01  
L&N 41-2016-01  
NP 41-2017-01



### GENERAL ELECTRIC U-28 DIESEL 8 WHEEL DRIVE with HEADLIGHT

41-2006-03	Contact Plate .....
41-2006-04	Motor Assembly .....
40-0303-00	Light Bulb .....
40-0159-00	Brushes for Motor .....
41-2014-98	Rear Truck Assembly .....
41-2014-96	Front Truck Assembly .....
40-0620-00	Coupler Assembly .....
41-2014-08	Drive Shaft .....
41-2016-86	Pick-up Shoes .....
41-2930-20	Wheel Assembly .....

A: 41-2014-99 Assortment of small Parts  
needed for this Model .....



# TRACK SYSTEM



## THE MINITRIX TRACK SYSTEM

The aim is to produce many different track layouts with as few components as possible.

**SIX RADII**... 2 radii make the construction of parallel track circuits possible. The smallest circle has a diameter of 15 5/16" (389.2 mm), i.e. radius 7 5/8" (194.6 mm) and is known as Radius 1. The next circle has a diameter of 18" (456.4 mm), i.e. radius 9" (228.2 mm) and this is known as Radius 2.

The distance between the two parallel tracks (A) is 1 5/16" (33.6 mm) which is sufficient to work the longest MINITRIX coaches in opposite directions over the layout.

For larger layouts there are another 4 radii to choose from: R3=13" (329.0 mm) and R4=14 1/4" (362.6 mm), R5=19 3/8" (492.6 mm) and R6=20 3/4" (526.2 mm).

The distance between the two parallel tracks R3 and R4, R5 and R6 is also 1 5/16" (33.6 mm).

## 4 TYPES OF CURVES WITH RADII OF 30, 24, 15 AND 6 DEGREES

... Only TRIX offers a variety of curves which can be used universally and these units are of special advantage during layout alterations.

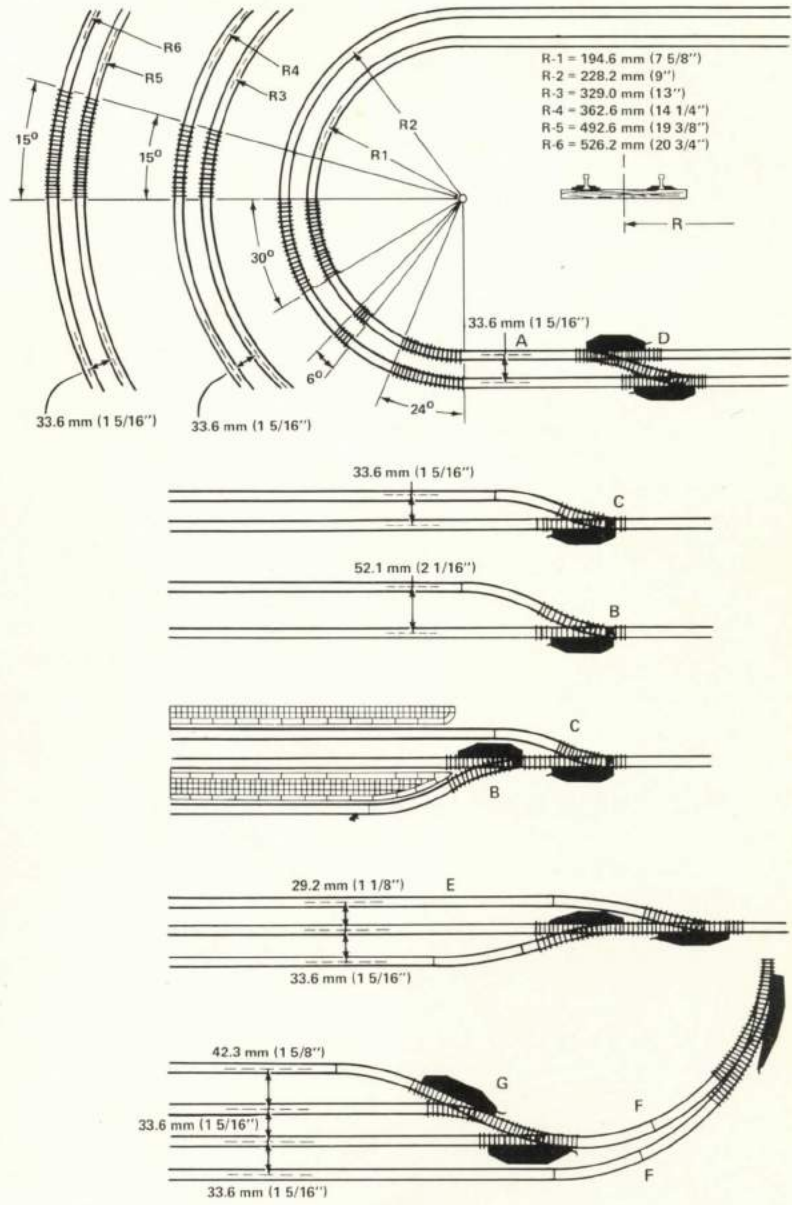
**MINITRIX TURNOUTS**... equal the length of the standard straight track section 4904. The turnout has a radius of 24 degrees which can be lengthened with the 6 degree curve 4916, enclosed with the point. If this point is then extended with the curved rail 4912, a parallel track is obtained, giving a distance of 2 1/16" (52.1 mm) between tracks; thus creating enough space for a platform. However, if the short section 4916 is removed and substituted with a curved section 4914, a track distance of only 1 5/16" (33.6 mm) is obtained which saves space (C).

**THE DISTANCE OF 1 5/16" (33.6 mm) between two parallel tracks** is based on joining two points minus the two small 6 degree curved sections (D). This gives a smooth crossover in the smallest possible space. Here it should be pointed out that with the various combinations of MINITRIX switches complicated layouts can be constructed in a very limited space.

**SETS OF SWITCHES OF PARTICULAR SLENDERNESS** by using 15-degree switches. If two 15-degree switches are put together with their curved tracks, the parallel track distance will be 1 5/16" (33.6 mm). The same distance is obtained when a straight track 4903 and a 15-degree curve 4927 are joined to the curved track (D). If the curved track is directly joined to the 15-degree radius (E), the distance is only 1 1/8" (29.2 mm).

**CURVED SWITCHES FOR BETTER SPACE UTILIZATION**... The set of switches starting in the circular arc (F), the curved track can be extended without any additional space needed. Of course curved switches can also be combined with any other switches (G), thus producing a variety of layouts.

With one pair of curved switches two parallel tracks can be joined so that the trains can run circularly from radius 1 to radius 2 and vice versa. The curved lines of the curved switch correspond to radii 1 and 2 and are completed to 90 degrees by two 24-degree curved switches. At the transition between two parallel tracks in the arc section one 6-degree track 4926 is put in between the two switches.



## CLEANING TRACKS

To clean tracks it is usually only necessary to wipe them with a clean, lint-free dry cloth. In exceptional cases, use any rubber eraser (pencil type) to wipe tracks. Always hold track down snugly when cleaning to avoid twisting or bending.

## CAUTION

Do not use commercial solvents of any kind to clean tracks or train. If dusty, wipe with a silicone cloth. Avoid operating train set on carpet. Static electricity built up within locomotive will attract dust or lint and result in faulty operation.

Key to symbols that identify track and accessories required in making the layouts appearing on pages 23 to 28, ie: **04** refers to track No. 4904, etc.

	4901
	4902
	4904
	4905
	4906
	4907
	4908
	4909
	4903
	4912
	4914
	4916
	4922
	4924
	4926
	4917
	4927
	4918
	4928
	4958
	4973

	4951
	4953
	4961
	4963
	4968
	4964
	4965
	4960
	4966
	4967
	4970
	4971
	4969
	4979
	4974
	4991

No. 6595 'Green' Double Control Switch, Momentary

No. 6594 'Yellow' Double Control Switch

No. 6582, 12 Post Terminal Board

No. 6580, 3 Post Terminal Board

No. 6591 Relay 4-Circuit, Double Magnet Operation

No. 6533 Double Pole Terminal Connector

No. 6530 Single Pole Terminal Track Clip

No. 6539 (39) Plastic Rail Isolator

No. 4979 Relay Trip

No. 6592 Relay 2-Circuits

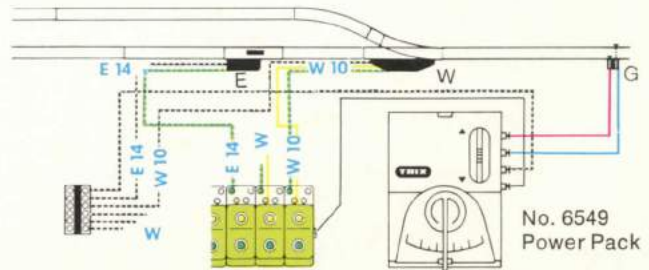
No. 6627 Section Rectifier

No. 6754 Semaphore

No. 6753 Distant Signal

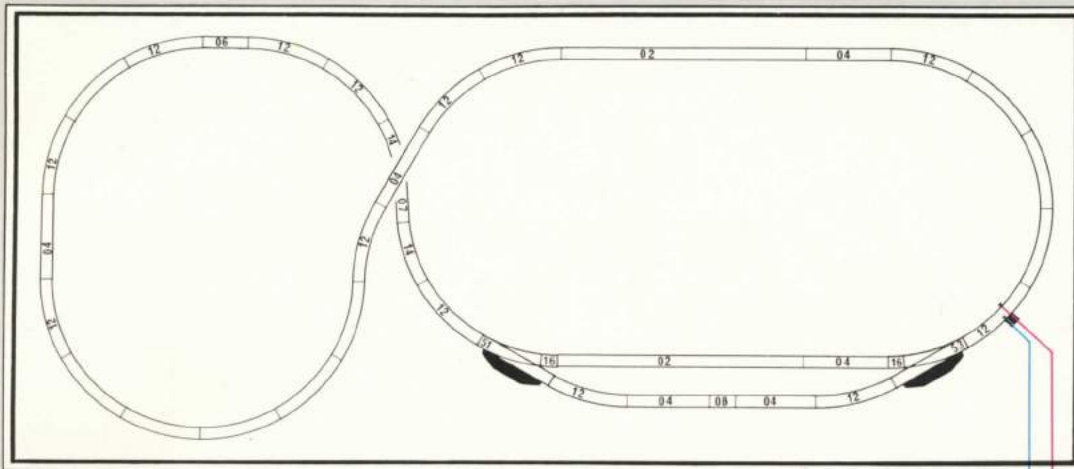
No. 6759 Light Signal

No. 6758, Distant Light Signal



Basis for wiring layouts illustrated on following pages; (W...) switches, (E...) uncoupling track, (G...) Relay Trip, (a...) and isolated track are identified with letters and numerals, ie: W10. These identifications are repeated at proper control switches to avoid any errors in hooking-up the TRIXcolored wires.

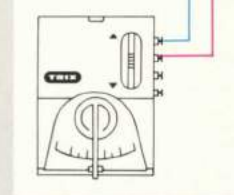
53"x24"



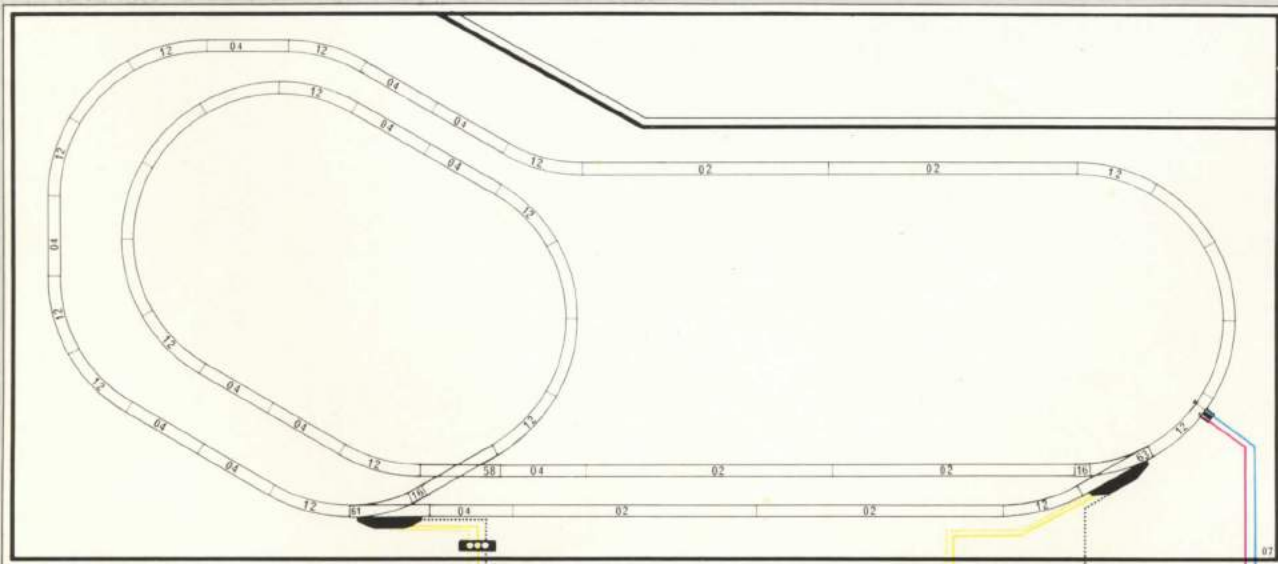
Tracks and Accessories needed to make this layout.

- 2X02
- 5X04
- 3X06
- 1X07
- 1X08
- 22X12
- 2X14
- 2X16
- 1X51
- 1X53
- 1X6533
- 1X Power Pack

Wire: Red, Blue,



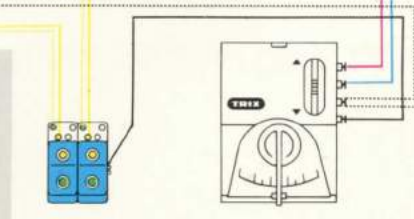
67"x30"



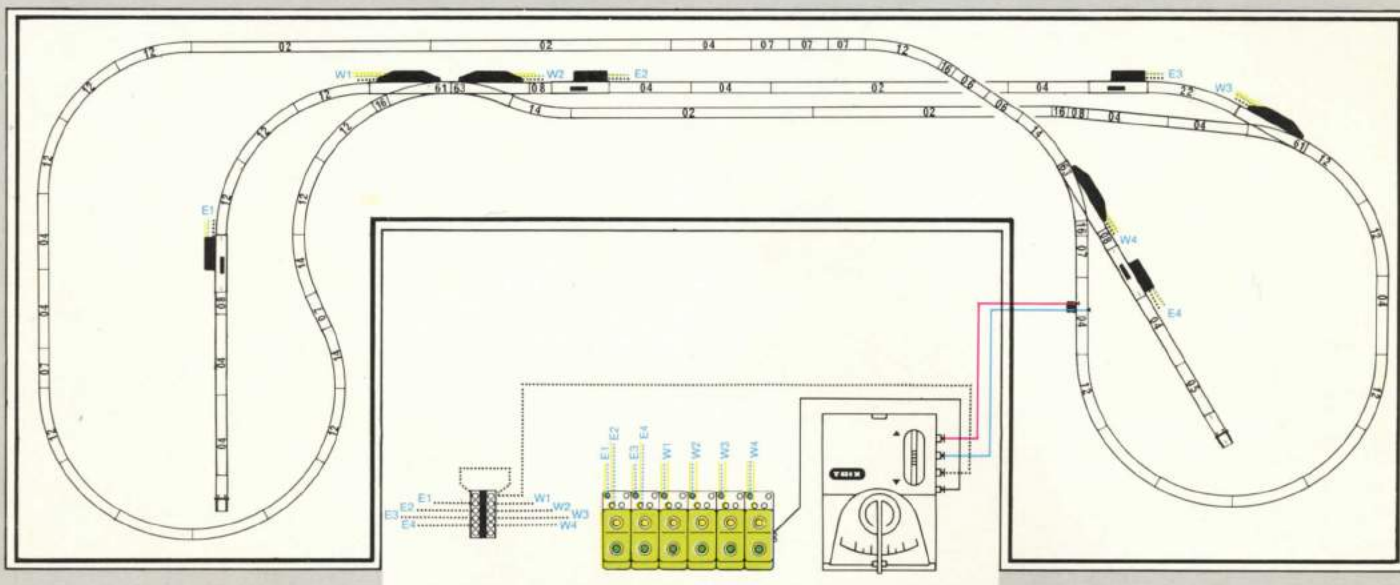
Tracks and Accessories needed to make this layout.

- 6X02
- 12X04
- 25X12
- 2X16
- 1X61
- 1X63
- 1X58
- 1X6533
- 1X6580
- 2X6595
- 1X Power Pack

Wire: Red, Blue, Green, Yellow, White, Black



73"x30"

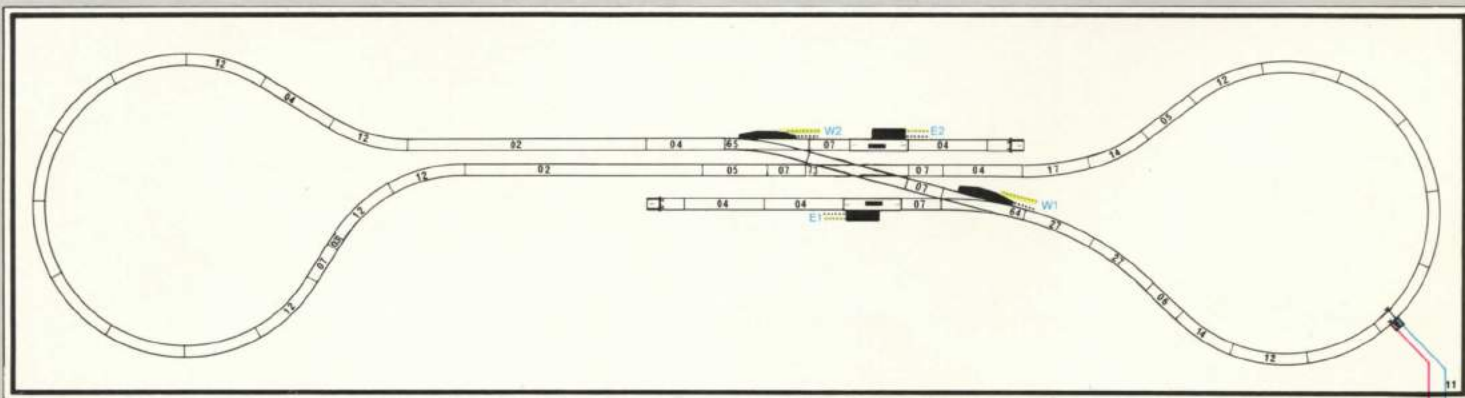


Tracks and Accessories  
needed to make  
this layout.

6X02	23X12	4X69
10X04	4X14	1X6533
1X05	1X22	6X6580
2X06	4X16	1X6582
6X07	2X61	6X6595
3X08	2X63	1X Power Pack

Wire: Red, Blue, Green,  
Yellow, White, Black

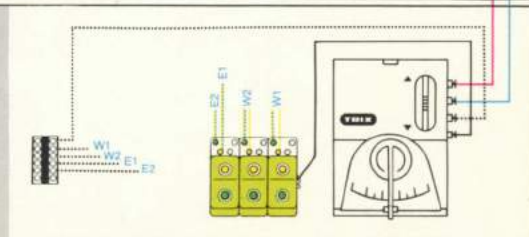
77"x22"



Tracks and Accessories  
needed to make  
this layout.

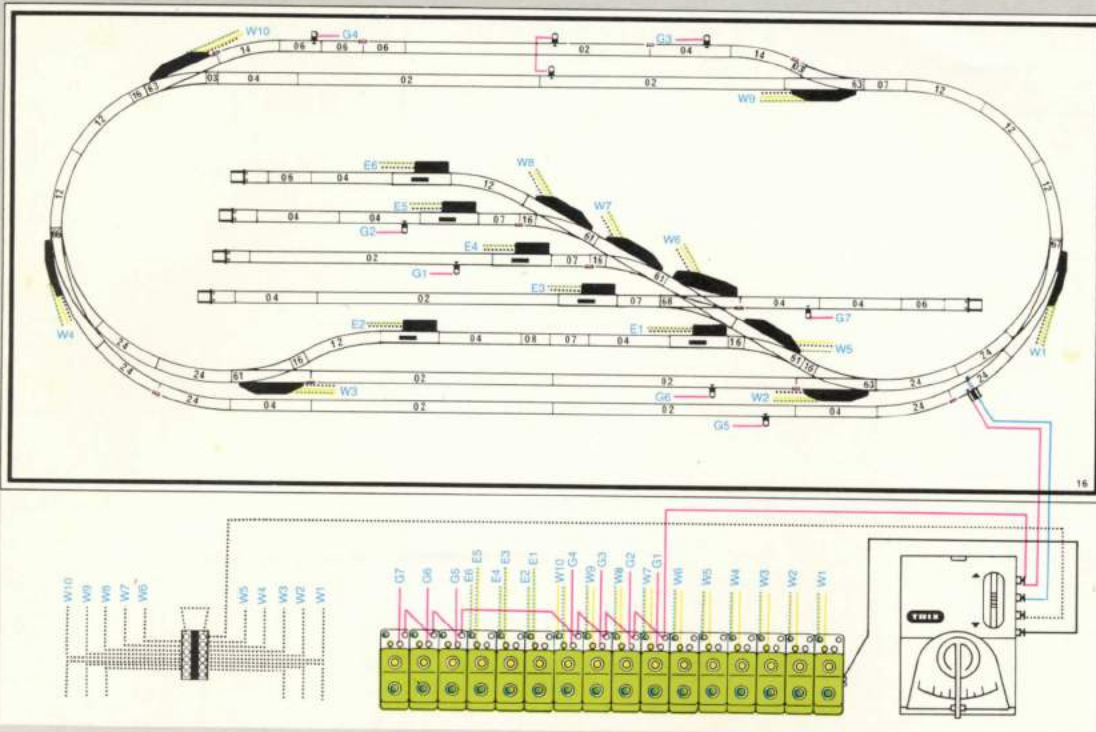
2X02	2X14	2X91
1X03	1X17	1X6533
7X04	2X27	3X6580
1X05	1X64	1X6582
1X06	1X65	3X6595
5X07	2X69	1X Power Pack
20X12	1X73	

Wire: Red, Blue, Green,  
Yellow, White, Black





57"x25"



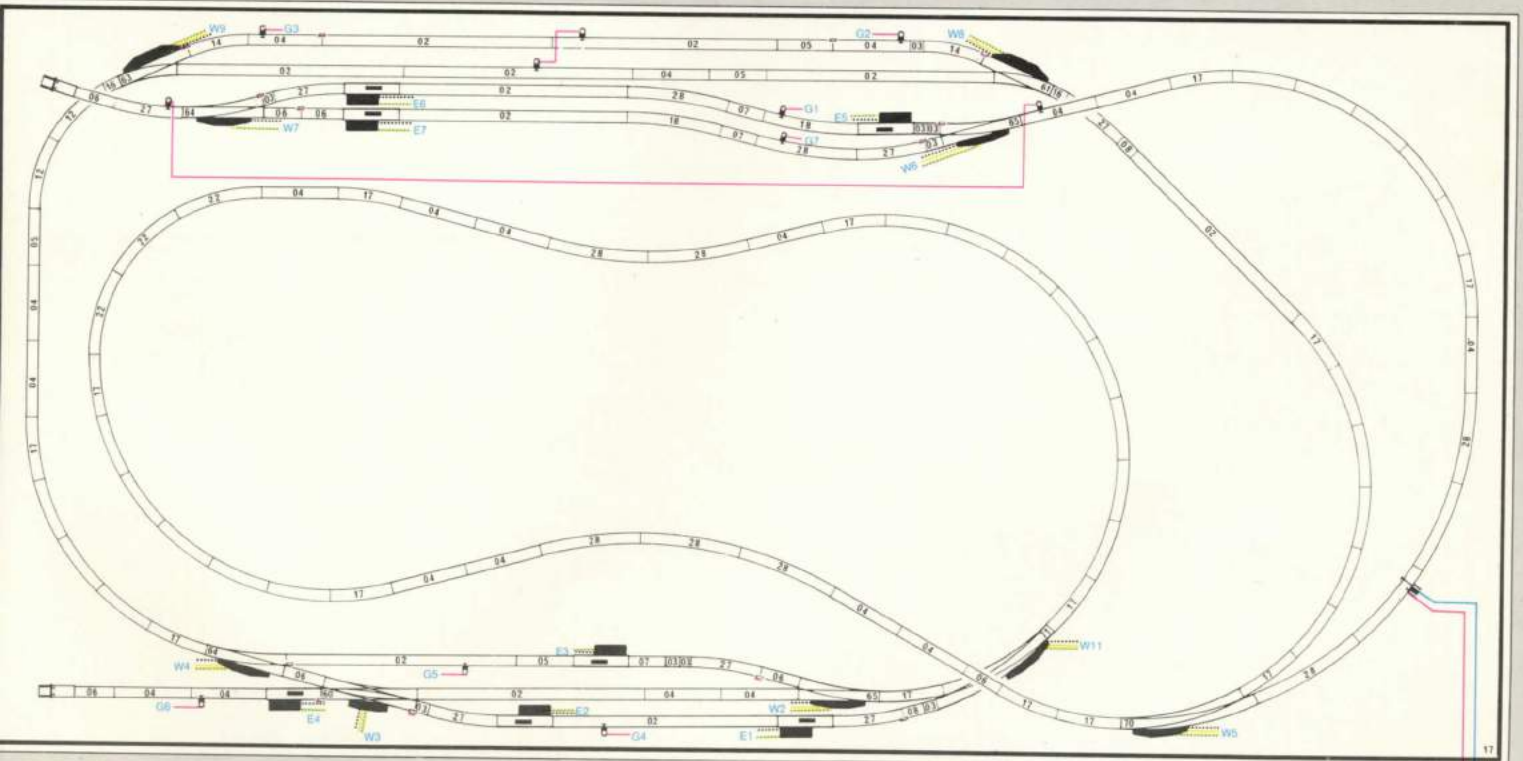
TRACK PLANS

Tracks and Accessories needed to make this layout.

- |       |               |
|-------|---------------|
| 9X02  | 3X63          |
| 2X03  | 1X66          |
| 12X04 | 1X67          |
| 5X06  | 1X68          |
| 5X07  | 6X69          |
| 1X08  | 5X91          |
| 7X12  | 7X6530        |
| 2X14  | 1X6533        |
| 8X24  | 16X6580       |
| 11X39 | 1X6582        |
| 6X16  | 16X6595       |
| 4X61  | 1X Power Pack |

Wire: Red, Blue, Green, Yellow, White, Black

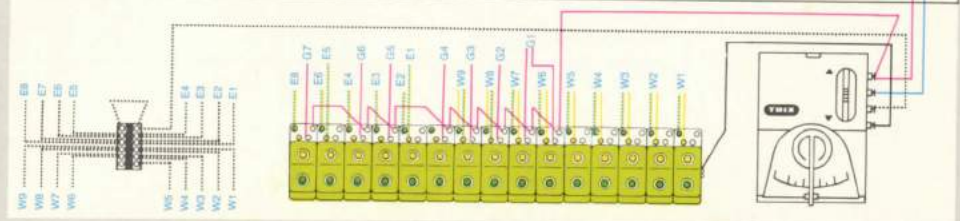
83"x42"



Tracks and Accessories needed to make this layout.

Wire: Red, Blue, Green, Yellow, White, Black

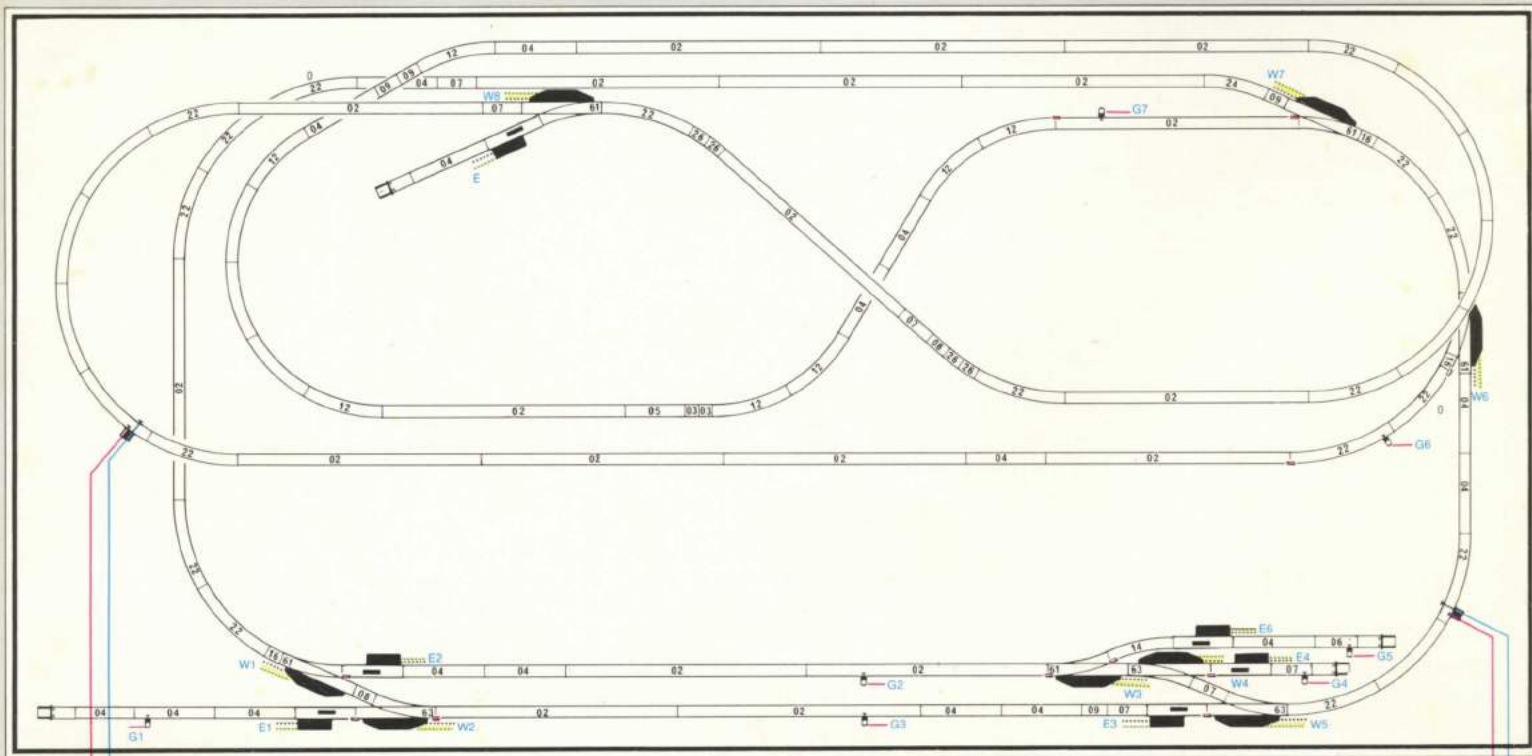
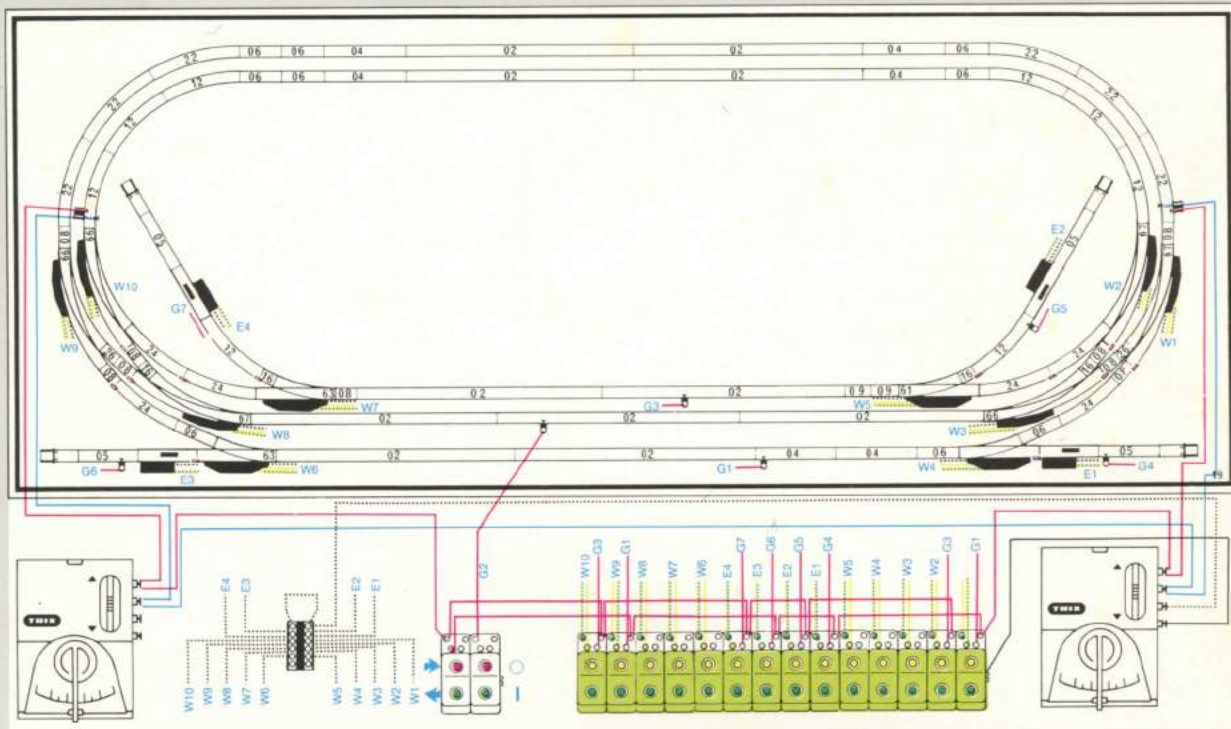
- |       |       |       |      |        |               |
|-------|-------|-------|------|--------|---------------|
| 11X02 | 2X07  | 2X18  | 1X60 | 2X65   | 1X6533        |
| 8X03  | 2X08  | 3X22  | 2X16 | 7X69   | 14X6580       |
| 19X04 | 2X12  | 7X27  | 1X61 | 1X70   | 1X6582        |
| 3X05  | 2X14  | 11X28 | 1X63 | 1X71   | 15X6595       |
| 9X06  | 40X17 | 13X39 | 2X64 | 9X6530 | 1X Power Pack |



Tracks and Accessories needed to make this layout.

- 11X02     2X63
- 6X04     3X66
- 4X05     3X67
- 9X06     4X69
- 9X08     4X70
- 2X09     7X6530
- 8X12     2X6533
- 6X22     14X6580
- 6X24     2X6582
- 2X26     2X6594
- 12X39    14X6595
- 4X16     2X Power
- 2X61     Packs

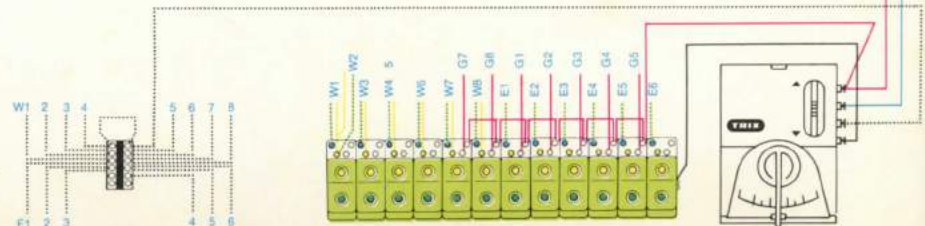
Wire: Red, Blue, Green, Yellow, White, Black

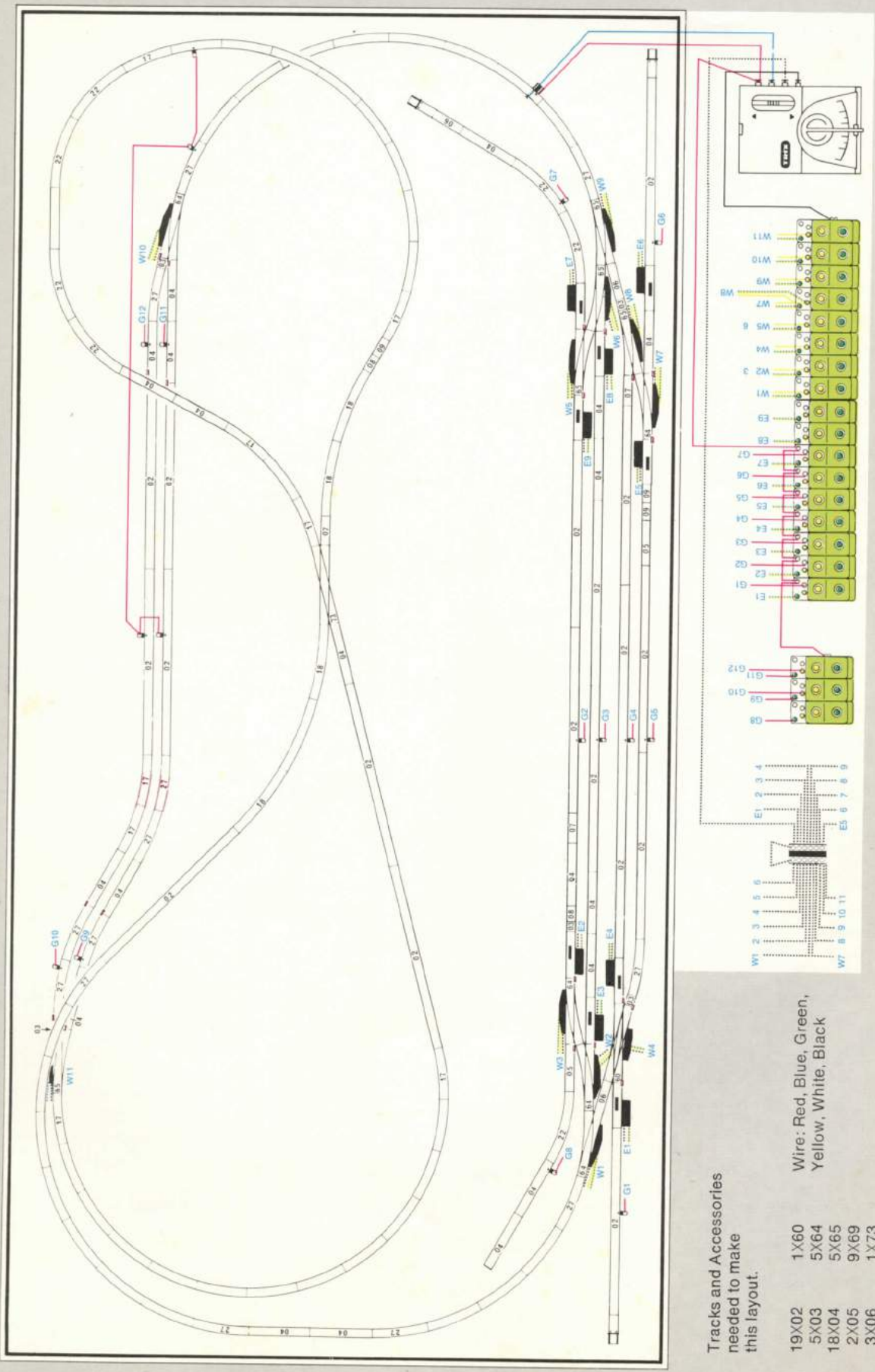


Tracks and Accessories needed to make this layout.

Wire: Red, Blue, Green, Yellow, White, Black

- 20X02    5X07    1X24    4X63    11X6582
- 2X03    2X08    4X26    6X69    12X6595
- 16X04   4X09   11X39   7X6530   2X Power
- 3X05    10X12   8X16    2X6533   Packs
- 1X06    26X22   4X61    11X6580



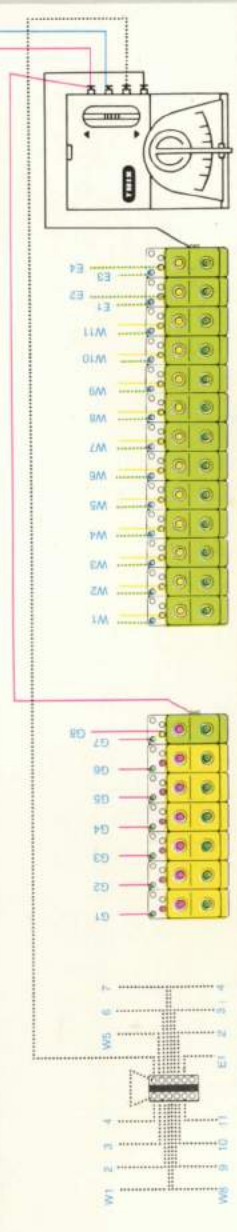
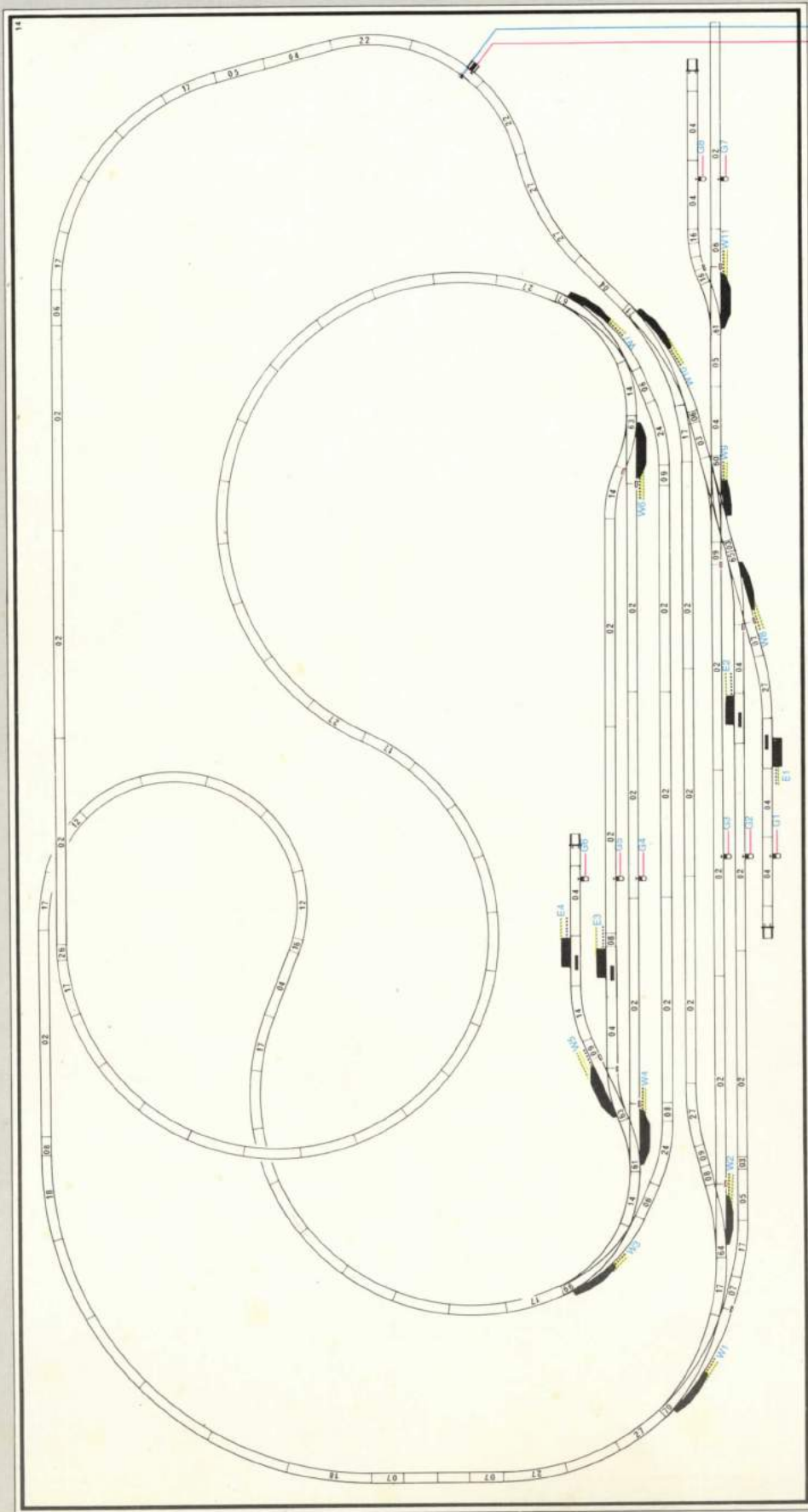


Tracks and Accessories needed to make this layout.

- 19X02
- 5X03
- 18X04
- 2X05
- 3X06
- 3X07
- 2X08
- 3X09
- 28X17
- 5X18
- 7X22
- 31X27
- 20X39
- 1X60
- 5X64
- 5X65
- 9X69
- 1X73
- 4X91
- 1X6533
- 16X6536
- 13X6580
- 1X6582
- 20X6595
- 1X Power Pack

Wire: Red, Blue, Green, Yellow, White, Black

89"x47"



Tracks and Accessories needed to make this layout.

- |       |       |              |
|-------|-------|--------------|
| 21X02 | 6X18  | 1X66         |
| 4X03  | 3X22  | 1X67         |
| 10X04 | 2X24  | 2X69         |
| 1X05  | 1X26  | 1X70         |
| 6X06  | 17X27 | 1X71         |
| 6X07  | 10X39 | 8X6590       |
| 6X08  | 1X60  | 1X6533       |
| 3X09  | 4X16  | 11X6580      |
| 6X12  | 2X61  | 1X6582       |
| 4X14  | 2X63  | 19X6595      |
| 1X16  | 1X64  | 1XPower Pack |
| 35X17 | 1X65  |              |

Wire: Red, Blue, Green, Yellow, White, Black







# MINITRIX™

the ultimate in N gauge



American Tortoise Inc., Farmingdale, New York 11735