

**DECEMBER PRODUCT**

MASTER LINE



ROLLING STOCK

**ANNOUNCEMENT**

# HO 53' JINDO CONTAINER



(Item #20 000 185)



(Item #20 000 189)



(Item #20 000 191)

**FEATURES INCLUDE:**

- All steel corrugated design
- Separate door bars
- Accurate lower rail for the 110" IH version
- Two roof variations
- Accurate painting and lettering

*Note: Each road name comes with two road numbers per pack*

## NEW MODEL!

Item #	Description
	<b>HO 53' JINDO CONTAINER - NEW MODEL!</b>
20 000 183	Undecorated 6-53-6 Roof
20 000 184	Undecorated 6-53-7 Roof
20 000 185	CSX* (White/Blue) 933670 & 933835
20 000 186	CSX* (White/Blue) 936063 & 936923
20 000 187	Hub Group (Red/White/Gray) 630182 & 631271
20 000 188	Hub Group (Red/White/Gray) 631564 & 631896
20 000 189	Pacer (Blue/Red/White) 889182 & 891903
20 000 190	Pacer (Blue/Red/White) 892772 & 893810
20 000 191	STAX (Brown/Yellow/White) 939311 & 939418
20 000 192	STAX (Brown/Yellow/White) 939425 & 939311
<b>Undecorated MSRP: TBA      Standard MSRP: TBA</b>	

*(Prototype photos shown, Photo credit - David G. Casdorff)*

*\*CSX Licensed Product*

**DECEMBER PRODUCT**

MASTER LINE



ROLLING STOCK

**ANNOUNCEMENT**

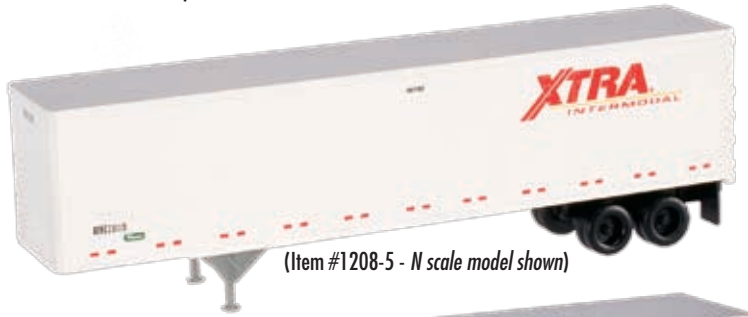
# HO 45' PINES TRAILER



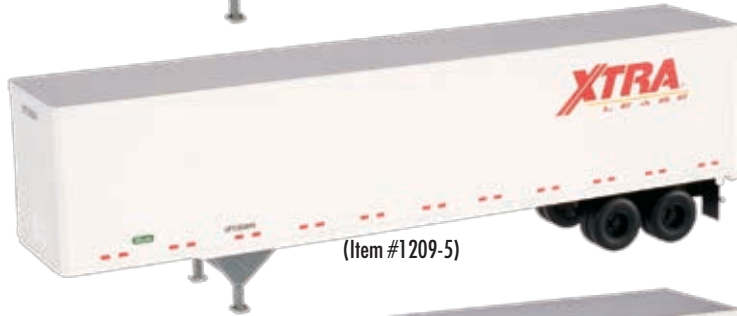
(Item #1202-5 - N scale model shown)



(Item #1207-5)



(Item #1208-5 - N scale model shown)



(Item #1209-5)



(Item #1201-5)



(Item #1212-3)



(Item #1213-3)

## NEW ROAD NUMBERS!

Item #	Description
<b>HO 45' PINES TRAILER</b>	
1200	Undecorated
<b>NEW ROAD NUMBERS!</b>	
1202-5,-6	Chicago Central & Pacific¥ (White/Green/Black) 230033, 230250
1207-5,-6	Vermont Railway¥ (White/Green) 237630, 238000
1208-5,-6	Xtra Intermodal¥ (White/Red/Yellow) 231130, 231154
1209-5,-6	Xtra Lease¥ (White/Red/Yellow) 850235, 850319
1201-5,-6	Burlington Motor Carriers¥ (White/Red/Blue) A11022, A11029
1212-3,-4	Milwaukee Road (White/Grey/Red) 251015, 251020
1213-3,-4	Preferred 45 (White/Red/Black) 254333, 254347
<b>Undecorated MSRP: \$9.95      Standard MSRP: \$13.95</b>	

**FEATURES INCLUDE:**

- Two sets of landing gear- fully extended or retracted
- Hinges and latches
- Rear bumper detail
- Rivets
- And more!

(Models from previous run shown)

¥Paint Schemes are correct for 45' Trailers manufactured by Pines.

**DECEMBER PRODUCT**

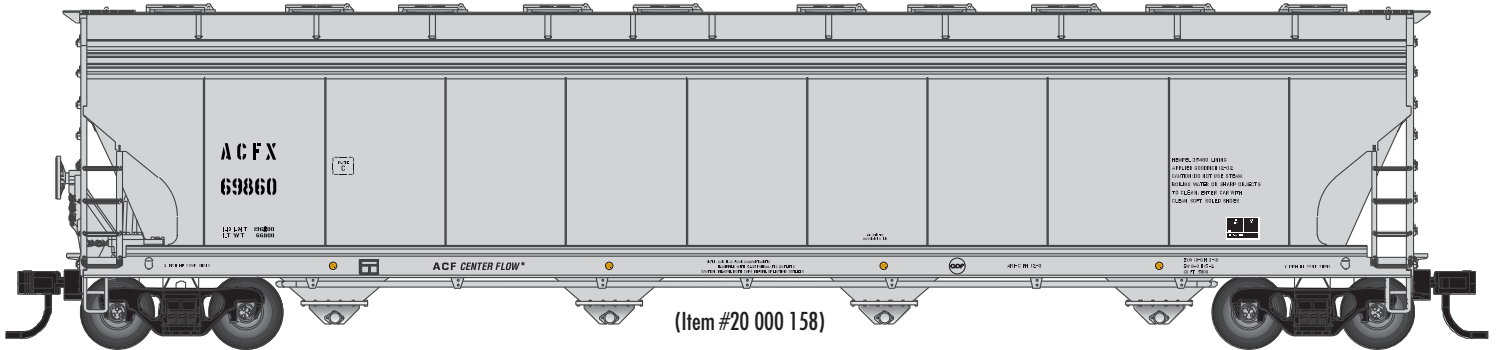
**MASTER LINE**



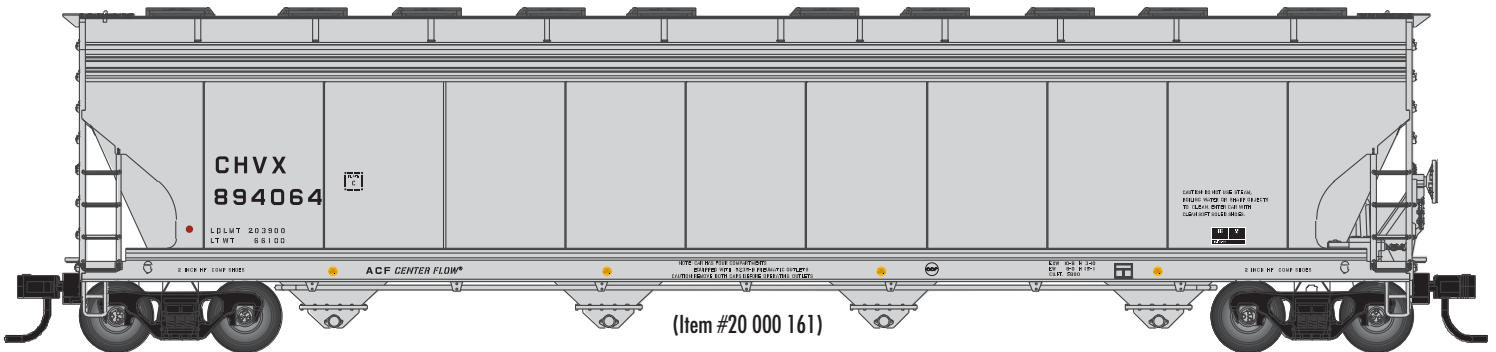
**ROLLING STOCK**

**ANNOUNCEMENT**

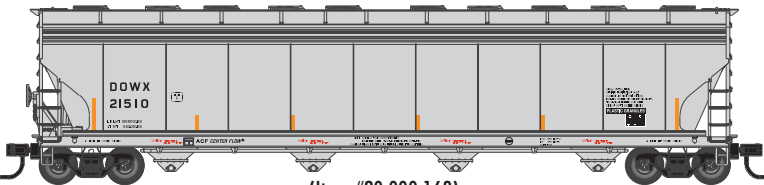
# HO ACF<sup>®</sup> 5800 PLASTICS HOPPER & ACF<sup>®</sup> 5748 GRAIN HOPPER



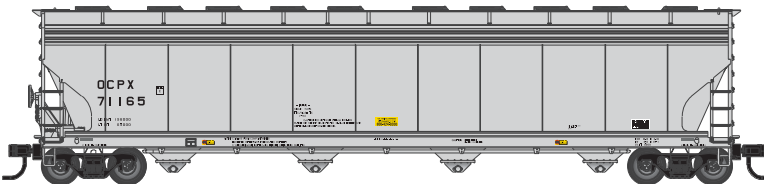
(Item #20 000 158)



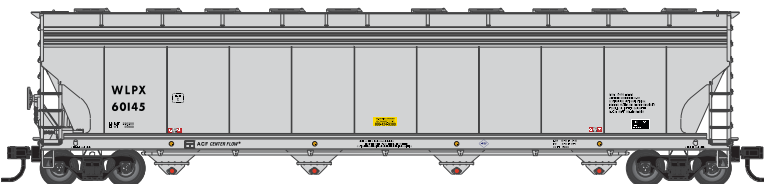
(Item #20 000 161)



(Item #20 000 163)



(Item #20 000 164)



(Item #20 000 166)



(Item #20 000 168)

## NEW MODEL!

Item #	Description
<b>HO ACF<sup>®</sup> 5800 PLASTICS HOPPER - NEW MODEL!</b>	
20 000 193	Undecorated
20 000 158-20 000 159	ACF <sup>®</sup> Industries (Gray/Black) 69860, 69918
20 000 160-20 000 161	Chevron (Gray/Black) 894001, 894064
20 000 162-20 000 163	Dow Chemical (Gray/Black/Yellow/Red/Sand) 21497, 21510
20 000 164-20 000 165	Occidental Chemical (Gray/Black/Yellow/Sand) 71165, 71170
20 000 166-20 000 167	Westlake Polymers (Gray/Black/Yellow/Red/Sand) 60145, 60168
<b>HO ACF<sup>®</sup> 5748 GRAIN HOPPER - NEW MODEL!</b>	
20 000 182	Undecorated
20 000 168-20 000 169	Cargill (Gray/Black/Green/Red) 40026, 40088
<b>MSRP: \$29.95</b>	

**FEATURES INCLUDE:**

- Nine full-width panel body with ten weld seams
- Etched metal roof walks
- Transverse mounted air reservoir
- Blackened metal wheels
- Accurate painting and printing
- 100-ton roller-bearing trucks and body mounted AccuMate<sup>®</sup> couplers with screw-attached coupler pockets

**ACF<sup>®</sup> 5800 PLASTICS HOPPER FEATURES INCLUDE:**

- Ten 20" hatches
- Pneumatic outlets

**ACF<sup>®</sup> 5748 GRAIN HOPPER FEATURES INCLUDE:**

- Continuous trough hatches
- Gravity outlets



**DECEMBER PRODUCT**

MASTER LINE



ROLLING STOCK

**ANNOUNCEMENT**

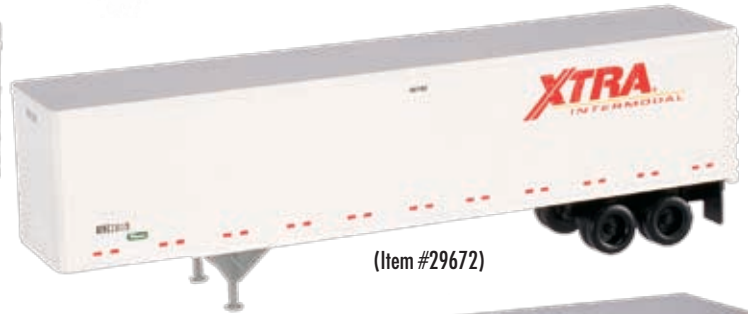
**N 45' PINES TRAILER**



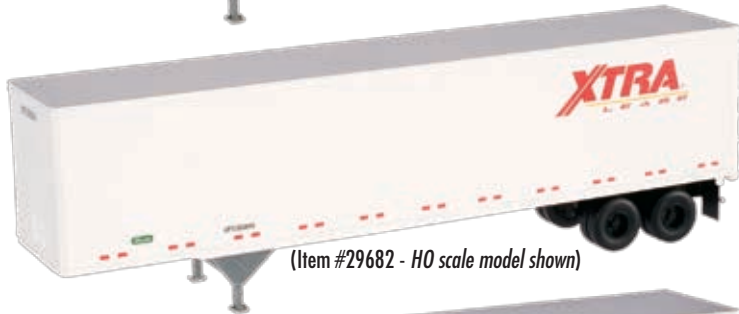
(Item #29612)



(Item #29662 - HO scale model shown)



(Item #29672)



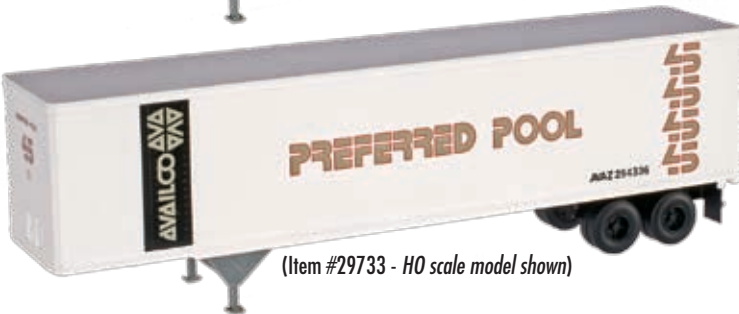
(Item #29682 - HO scale model shown)



(Item #29692 - HO scale model shown)



(Item #29723 - HO scale model shown)



(Item #29733 - HO scale model shown)

**NEW ROAD NUMBERS!**

Item #	Description
<b>N 45' PINES TRAILER</b>	
2960	Undecorated
<b>NEW ROAD NUMBERS!</b>	
29612-29613	Chicago Central & Pacific¥ (White/Green/Black) 230033, 230250
29662-29663	Vermont Railway¥ (White/Green) 237630, 238000
29672-29673	Xtra Intermodal¥ (White/Red/Yellow) 231130, 231154
29682-29683	Xtra Lease¥ (White/Red/Yellow) 850235, 850319
29692-29693	Burlington Motor Carriers¥ (White/Red/Blue) A11022, A11029
29723-29724	Milwaukee Road (White/Grey/Red) 251015, 251020
29733-29734	Preferred 45 (White/Red/Black) 254333, 254347
<b>Undecorated MSRP: \$7.95      Standard MSRP: \$12.95</b>	

**FEATURES INCLUDE:**

*(Models from previous run shown)*

- Two sets of landing gear- fully extended or retracted
- Hinges and latches
- Rivet detail
- Rear bumper detail
- And more!

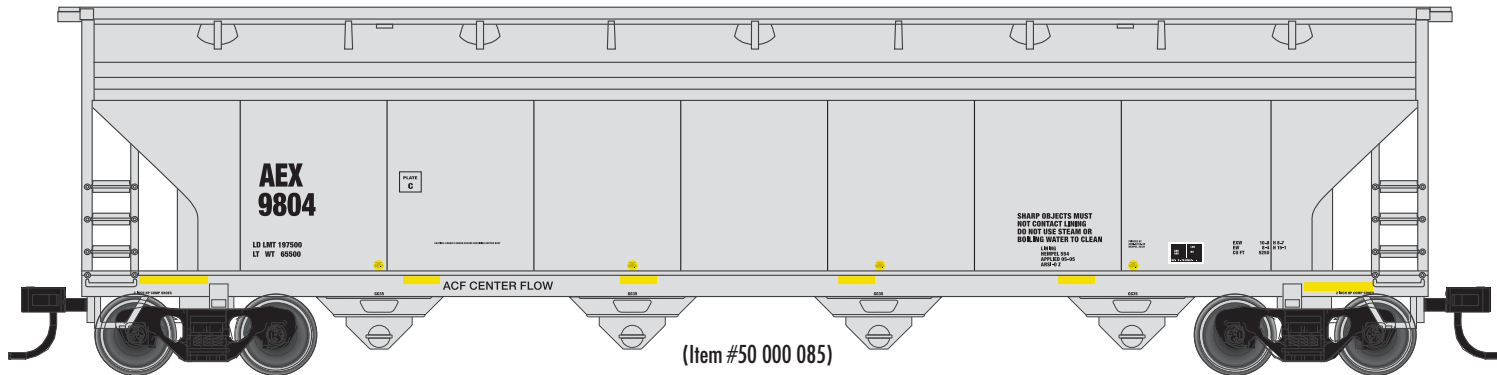
¥Paint Schemes are correct for 45' Trailers manufactured by Pines.

**DECEMBER PRODUCT**



**ANNOUNCEMENT**

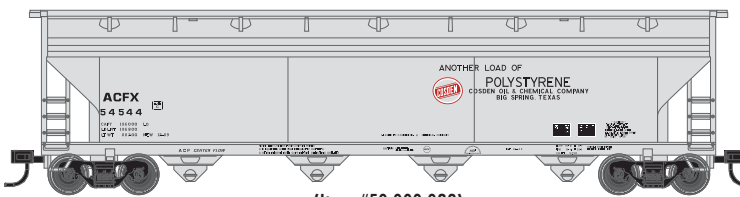
# N TRAINMAN® ACF® 5250 HOPPER



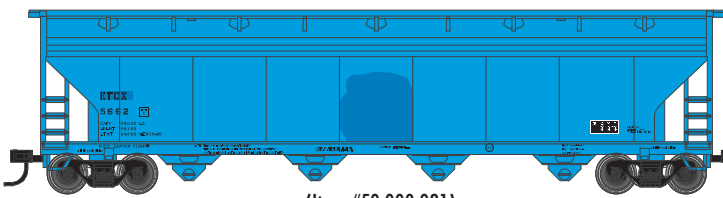
(Item #50 000 085)



(Item #50 000 088)



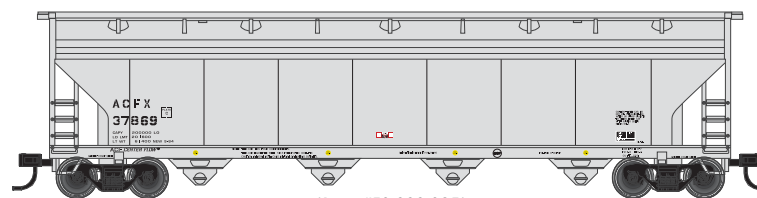
(Item #50 000 089)



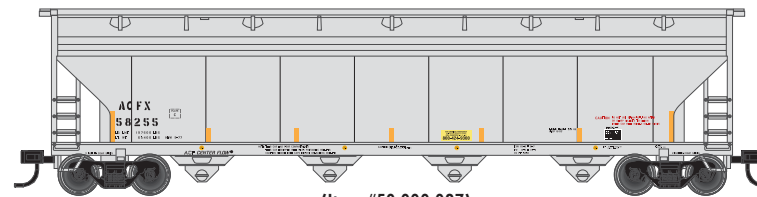
(Item #50 000 091)



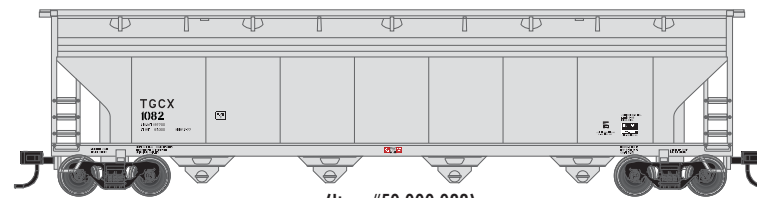
(Item #50 000 093)



(Item #50 000 095)



(Item #50 000 097)



(Item #50 000 099)

## NEW TO TRAINMAN®!

**Item #**

**Description**

**N TRAINMAN® ACF® 5250 HOPPER**

**NEW TO TRAINMAN®!**

3950	Undecorated
50 000 085-50 000 086	The Andersons (Gray/Black) 9804, 9825
50 000 087-50 000 088	Continental Polymers (CPIX) (Red/White/Black) 1000, 3000
50 000 089-50 000 090	Cosden Oil & Chemical (Gray/Red/Black) 54544, 54550
50 000 091-50 000 092	Eastman Chemical (ex-CSPX) (Blue/Black) 5662, 5677
50 000 093-50 000 094	El Rexene (Gray/Red/Black) 53807, 53844
50 000 095-50 000 096	General Electric Railcar '5251' (Gray/Black) 37869, 37950
50 000 097-50 000 098	General Electric Railcar 'Conspicuity Stripes' (Gray/Black/Yellow) 58255, 58273
50 000 099-50 000 100	The PolyOne Company (Rescar Repaint) (Gray/Black) 1082, 1094

**Undecorated MSRP: \$7.95 Standard MSRP: \$9.95**

**FEATURES INCLUDE:**

- Ready-to-run
- 100-ton roller bearing trucks
- Accurate painting and lettering